

DV1 CLEARCOAT SPRAY GUN SYSTEM COMPONENTS & ORDER NUMBERS

Part Listing

Image Reference	Part Number	Description	Quantity
1	-	Retaining Ring	1
2	-	Slip Ring	1
3	-	Retaining Ring Seal	1
4	704425	Retaining Ring Sub Assembly	1
5	-	Air Cap	1
6	191972	Spring Clip (Kit of 10)	1
7	See Table 1	Air Cap & Retaining Ring	1
8	See Table 2	Fluid Tip	1
9	704402	Deflector Plate	1
10+	704403	Screw (Kit of 3)	3
11	-	Sprayhead	1
12+	704401	Gasket (Kit of 2)	1
13	704436	Spray Head Kit	1
14	-	Needle Packing	1
15	-	Packing Spring	1
16	-	Packing Nut	1
17+	702731	Packing, Spring & Packing Nut Kit	1
18	-	O Ring	1
19	-	Air Valve Cage	1
20	-	Seal	2
21	-	Seal Guide	2
22	-	Valve Seat	1
23#	704422	Front Cage Assembly	1
24	-	Air Valve Stem	1
25#	-	Air Valve Spring	1
26	-	Rear Seal Housing	1
27	704423	Rear Seal Assembly	1
28+	704424	Air Valve Assembly	1
29	-	Identification Sleeve	1
30	-	Sleeve Nut	1
31	704437	Sleeve Kit	1
32	See Table 2	Fluid Needle	1
33	-	Needle Spring	1
34	-	Spring Pad	1
35#+	704405	Needle Spring Kit	1
36	704404	Fluid Adjusting Knob	1
37	-	O Ring	2
38	-	Flow Valve Body	1
39	-	Flow Valve Knob	1
40	-	Circlip	1
41	704417	Inline Flow Valve	1
42	-	Plug	1
43	-	Trigger Screw	1
44	-	Spring	1
45	-	Trigger Stud	1
46	-	Trigger	1
47	704406	Trigger, Stud, Spring & Screw Kit	1
48	-	Screw	1
49	-	Spreader Valve Pin	1
50	-	Spreader Valve Stem	1
51#+	-	O Ring	1
52	-	Valve Body	1
53#+	-	O Ring	1
54	-	Spreader Valve Adjusting Knob	1
55	704419	Spreader Knob Kit (Not for use with digital gauge)	1
56	704418	Spreader Valve Assembly	1
57	-	Valve Tool	1
58	-	Torx Driver	1
59	-	Tip Wrench	1
60	704429	Tool Kit	1
61	GFC-501	Gravity Cup Plastic (Shown)	1

Gauges

62	704426	ATEX Approved	Digital Pressure Gauge
----	--------	---------------	------------------------

Service Kits

	704430	Minor Service Kit	Includes Items Marked #
	704431	Major Service Kit	Includes Items Marked +

Table 1: Performance Guide

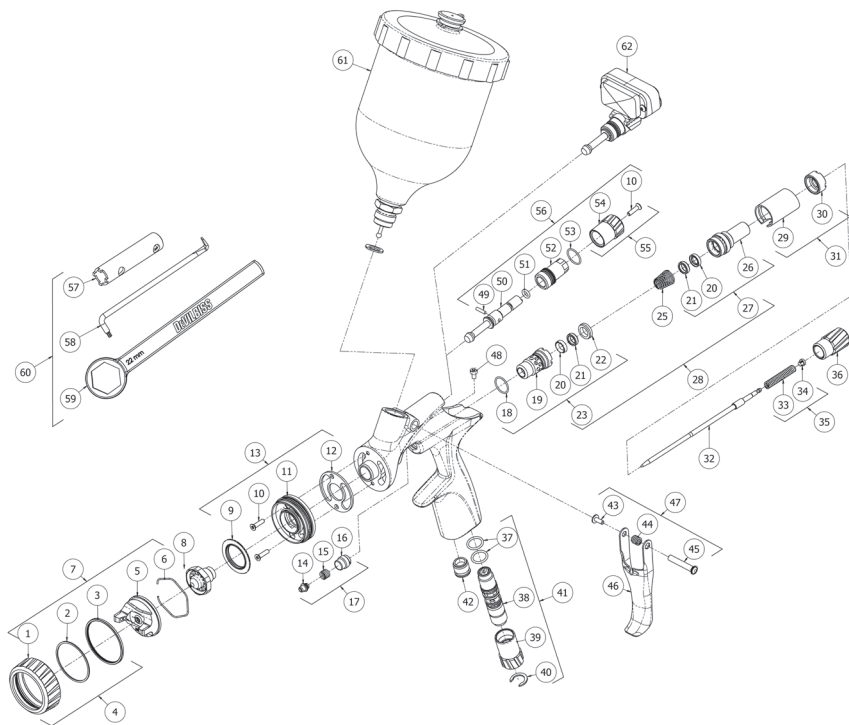
Air Cap Part Number	704434
Air Cap & Type	DV1-C1 Plus (HVLP)
Recommended Air Pressure at Digital Gauge	1.5 bar (22 psi)
Air Consumption	285 L/min (10.0 scfm)
Fluid Flow	140 - 190 g/min
Pattern Height	325 mm (12.8 in)

Table 2: Tips & Needles

Fluid Tip			Needle	
Part Number	Size	Marking	Part Number	Marking
704440	1.0	DV1-1.0 C	704416	DV1-300
704441	1.1	DV1-1.1 C		
704442	1.2	DV1-1.2 C		
704443	1.3	DV1-1.3 C		
704444	1.4	DV1-1.4 C		

Spray Gun Kit with DV1-C1 Plus Air Cap

Order Number	Gauged	Needle (mm)	Cup Type
DV1-C-BAR-11-C1+	Y-BAR	1.1	GFC-501
DV1-C-BAR-12-C1+	Y-BAR	1.2	GFC-501
DV1-C-BAR-13-C1+	Y-BAR	1.3	GFC-501
DV1-U-BAR-11-C1+	Y-BAR	1.1	Un-cupped
DV1-U-BAR-12-C1+	Y-BAR	1.2	Un-cupped
DV1-U-BAR-13-C1+	Y-BAR	1.3	Un-cupped
DV1-C-000-11-C1+	—	1.1	GFC-501
DV1-C-000-12-C1+	—	1.2	GFC-501
DV1-C-000-13-C1+	—	1.3	GFC-501
DV1-U-000-11-C1+	—	1.1	Un-cupped
DV1-U-000-12-C1+	—	1.2	Un-cupped
DV1-U-000-13-C1+	—	1.3	Un-cupped



DeVilbiss Automotive Refinishing

+44 (0) 1202 571111 | info@devilbisseu.com | devilbisseu.com

devilbissdv1.com



+44 (0) 1202 571111 | marketing-uk@carlisleleft.com | carlisleleft.com

©2019 Carlisle Fluid Technologies, Inc. | DeVilbiss is a registered trademark of Carlisle Fluid Technologies, Inc. Models and specifications subject to change without notice. All rights reserved. | 19CFT467 | Form No. 09-006-01