
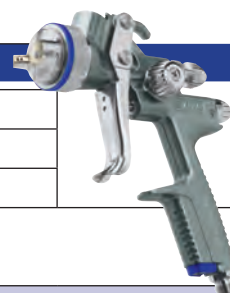


# SATAjet® 100 B F RP®/HVL P, B P



## SATAjet 100 B F RP

<b>Technical Data</b>	Inlet pressure: 1.5 bar – 2.0 bar
	Air consumption at 2.0 bar: 290 NI/min
	Spray distance: 17 cm – 21 cm



<b>Nozzle</b>	1,4	1,6	1,8	2,0	1,1 UV
---------------	-----	-----	-----	-----	--------

### Spray gun with 0.6 l QCC reusable plastic gravity flow cup **without** swivel joint

<b>Art. No.</b>	146969	145193	145201	145219	-
-----------------	--------	--------	--------	--------	---

### Spray gun with 0.75 l QCC reusable aluminium gravity flow cup **without** swivel joint

<b>Art. No.</b>	153023	146134	146142	147421	-
-----------------	--------	--------	--------	--------	---

### Spray gun with 0.6 l disposable RPS cup **without** swivel joint


<b>Art. No.</b>	-	-	-	-	203125
-----------------	---	---	---	---	--------

<b>Nozzle</b>	1,4	1,6	1,8	2,0	1,1 UV
---------------	-----	-----	-----	-----	--------

### Nozzle set

<b>Art. No.</b>	146977	145250	145268	145276	182600
-----------------	--------	--------	--------	--------	--------

## SATAjet 100 B F HVL P

<b>Technical Data</b>	Inlet pressure: 2.0 bar
	Air consumption at 2.0 bar: 350 NI/min
	Spray distance: 10 cm – 15 cm



<b>Nozzle</b>	1,4	1,7	1,9	2,1
---------------	-----	-----	-----	-----

### Spray gun with 0.6 l QCC reusable plastic cup **without** swivel joint

<b>Art. No.</b>	146373	145722	145730	145748
-----------------	--------	--------	--------	--------


### Spray gun with 0.75 l QCC reusable aluminium gravity flow cup **without** swivel joint

<b>Art. No.</b>	147447	146175	146183	147454
-----------------	--------	--------	--------	--------

### Nozzle set

<b>Art. No.</b>	146381	145417	145425	145433
-----------------	--------	--------	--------	--------

## SATAjet 100 B P

<b>Technical Data</b>	Inlet pressure: 1.5 bar – 2.0 bar
	Air consumption at 2.0 bar: 245 NI/min
	Spray distance: 17 cm – 21 cm



<b>Nozzle</b>	P
---------------	---

### Spray gun with 0.6 l QCC reusable plastic gravity flow cup **without** swivel joint

<b>Art. No.</b>	145185
-----------------	--------

### Spray gun with 0.75 l QCC reusable aluminium gravity flow cup **without** swivel joint

<b>Art. No.</b>	146217
-----------------	--------

<b>Nozzle</b>	P
---------------	---

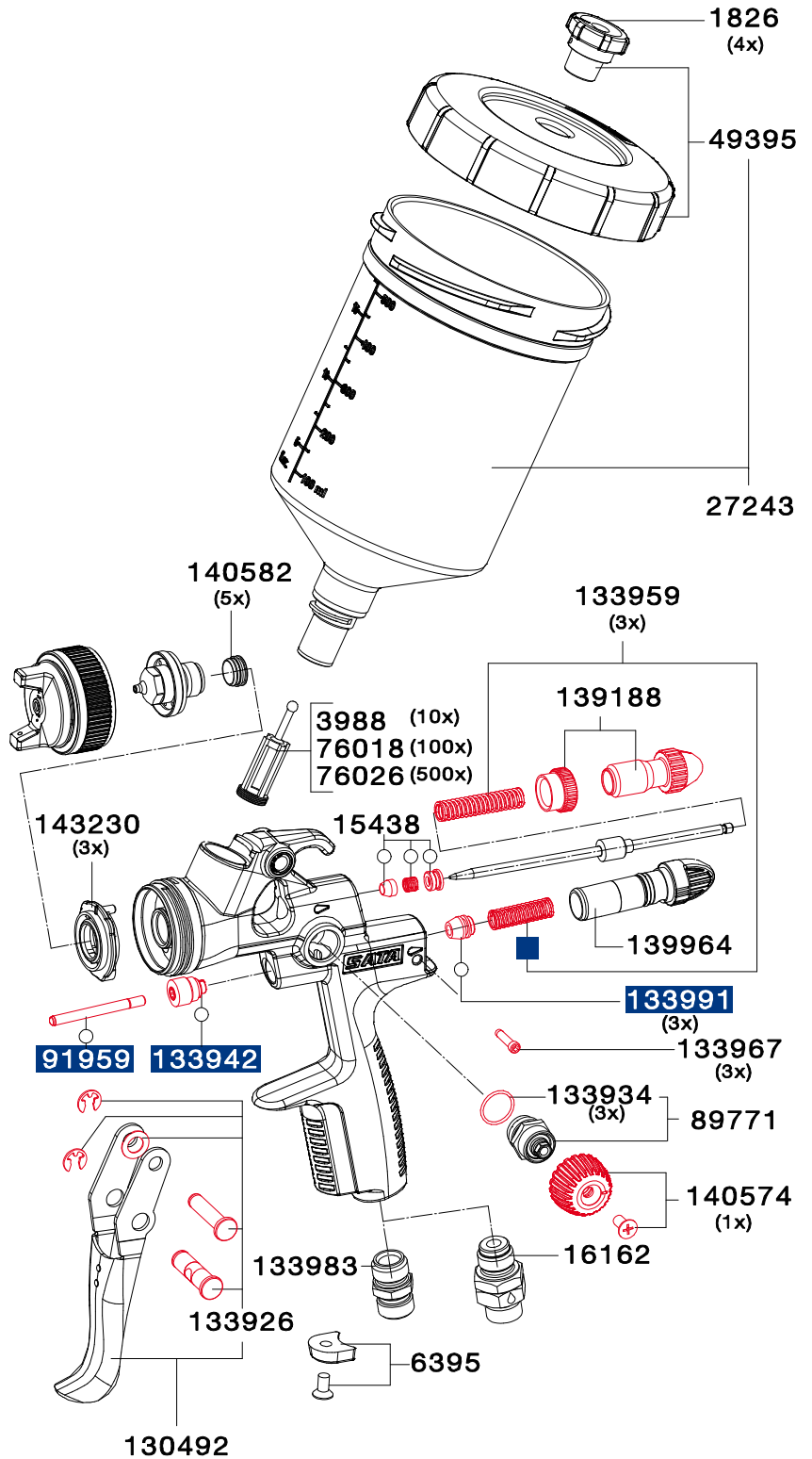
### Nozzle set

<b>Art. No.</b>	145284
-----------------	--------

All prices are recommended list prices. Errors, technical modifications and printing errors reserved.

# Spare Parts SATAjet® 100 B

Art. No./Descr.
1826 Anti-drip device (packing unit 4 pieces)
3988 Paint strainer, 300 µm (packing unit 10 pieces)
6395 CCS Clips, green, blue, red, black packing unit 4 pieces)
15438 Paint needle packing
25874 O-ring
27243 Reusable plastic cup, 0.6 l with QCC without fine thread
49395 Screw-on lid for 0.6 l PVC cup with drip-catching ring and non-drip device
76018 Paint strainer, 300 µm (packing unit 100 pieces)
76026 Paint strainer, 300 µm (packing unit 500 pieces)
78154 Closing cap
89771 Spindle, cpl., f. round / flat spray control SATAjet 2000 HVLP
91959 Air piston rod
130492 Trigger kit
133926 Trigger sleeve kit
133934 Sealing (packing unit 3 pieces) for spindle
133942 Seal retainer, cpl.
133959 Pressure spring (3 pieces) for paint needle and air piston
133967 Adjustment screw (packing unit 3 pieces) for air micrometer
133983 Air connection piece 1/4" male thread
133991 Air piston head (packing unit 3 pieces)
139188 Material flow control with counter nut
139964 Air micrometer
140574 Control knob with screw
140582 Sealing element (packing unit 5 pieces) for fluid tip
143230 Air distribution ring (packing unit 3 pieces)
16162 Swivel joint



Art. No./Descr.
9050 <b>Tool kit</b>
· Extraction tool
· Paint strainer
· Cleaning brush
· Allen wrench 2 mm width
· Allen wrench 4 mm width
· Universal spanner

Art. No./Descr.
130542 <b>Repair kit</b>
92759 <b>Air piston service unit</b>
○ 183780 <b>Sealing kit</b>

All prices are recommended list prices. Errors, technical modifications and printing errors reserved.