



ARS1212

CORDLESS MINI POLISHER

PRODUCT INFORMATION MANUAL

Manuel informations du produit

Manual información del producto

English

Français

Español



THIS MANUAL CONTAINS IMPORTANT INFORMATION REGARDING SAFETY, OPERATION, MAINTENANCE AND STORAGE OF THIS PRODUCT.

CE MANUEL CONTIENT DES INFORMATIONS IMPORTANTE CONCERNANT LA SECURITE, L'OPERATION, LA MAINTENANCE ET LE STOCKAGE DE CE PRODUIT.

ESTE MANUAL CONTIENE INFORMACIÓN IMPORTANTE ACERCA DE LA SEGURIDAD, FUNCIONAMIENTO, MANTENIMIENTO Y ALMACENAMIENTO DE ESTE PRODUCTO.

ESTE PRODUCTO.

DO NOT ATTEMPT TO OPERATE THE TOOL UNTIL YOU HAVE READ AND UNDERSTOOD ALL INSTRUCTIONS AND SAFETY RULES CONTAINED IN THIS MANUAL. FAILURE TO COMPLY MAY RESULT IN ACCIDENTS INVOLVING FIRE, ELECTRIC SHOCK, OR SERIOUS PERSONAL INJURY. SAVE THIS OWNER'S MANUAL FOR FUTURE REFERENCE AND REVIEW IT FREQUENTLY FOR SAFE OPERATION.

NE PAS TENTER D'OPERER L'OUTIL TANT QUE VOUS N'AVEZ PAS LU ET COMPRIS TOUTES LES INSTRUCTIONS ET REGLES DE SECURITE CONTENUES DANS CE MANUEL. SINON VOUS RISQUEZ DES ACCIDENTS TELS QU'UN INCENDIE, UNE ELECTROCUTION, OU DES BLESSURES CORPORELLES GRAVES. CONSERVEZ CE MODE D'EMPLOI EN CAS DE BESOIN ET RELISEZ-LE SOUVENT POUR UTILISER VOTRE OUTIL EN TOUTE SECURITE.

NO UTILICE ESTA HERRAMIENTA HASTA HABER LEÍDO Y COMPRENDIDO TODAS LAS INSTRUCCIONES Y NORMAS DE SEGURIDAD CONTENIDAS EN ESTE MANUAL. SI NO LO HACE PODRÍA PROVOCAR ACCIDENTES CON FUEGO, DESCARGA ELÉCTRICA O LESIONES PERSONALES SERIAS. GUARDE ESTE MANUAL DE INSTRUCCIONES PARA SU CONSULTA EN EL FUTURO Y REVÍSELO FRECUENTEMENTE PARA UN USO SEGURO.



THANKS FOR CHOOSING THIS PRODUCT

ACDelco provides you with products at an affordable price, and we would like you to be fully satisfied with this product and our technical support. If any help or advice is needed, please kindly contact us.

INTENDED USE

This tool is intended for personal use only.

This polisher is designed for buffing and polishing paint, metal, and plastic surfaces to a high-gloss finish.

GENERAL SAFETY RULES

WARNING

READ AND UNDERSTAND ALL INSTRUCTIONS.

Failure to follow all instructions listed below may result in electric shock, fire and/or serious injury. The term "power tool" in all of the warnings listed below refers to your mains-operated (corded) power tool or battery-operated (cordless) power tool.

SAVE THESE INSTRUCTIONS FOR FUTURE REFERENCE

RECOGNIZE SAFETY SYMBOLS, WORDS AND LABELS

The safety instructions provided in this manual are not intended to cover all possible conditions and practices that may occur when operating, maintaining and cleaning power tools.

Always use common sense and pay particular attention to all the **DANGER**, **WARNING**, **CAUTION** and **NOTE** statements of this manual.



This is the safety alert symbol. It is used to alert you to potential personal injury hazards. Obey all safety messages that follow this symbol to avoid possible injury or death.

DANGER

DANGER indicates an imminently hazardous situation which, if not avoided, will result in death or serious injury.

WARNING

WARNING indicates a potentially hazardous situation which, if not avoided, could result in death or serious injury.

CAUTION

CAUTION indicates a potentially hazardous situation which, if not avoided, may result in minor or moderate injury.

NOTE

NOTE provides additional information that is useful for proper use and maintenance of this tool. If a **NOTE** is indicated make sure it is fully understood.

WARNING LABEL IDENTIFICATION



Read Manuals Before Operating Product.



Wear Eye Protection.



Wear Hearing Protection.



Wear Dust Mask.



Wear Respiratory Protection.



Power tools can vibrate in use.



Do not carry the tool by the cord.



Keep body stance balanced and firm. Do not overreach when operating this tool.

IMPORTANT SAFETY RULES

DANGER

When using power tools, always prevent exposure and breathing of harmful dust and particles.

WARNING: Some dust created by power sanding, sawing, grinding, drilling and other construction activities contains chemicals known to cause cancer, birth defects or other reproductive harm.

Some examples of these chemicals are:

- Lead from lead-based paints.
- Crystalline silica from bricks and cement and other masonry products, and arsenic and chromium from chemically-treated lumber.

Your risk from these exposures varies, depending on how often you do this type of work. To reduce your exposure to these chemicals: work in a well ventilated area, and work with approved safety equipment, such as dust masks that are specially designed to filter out microscopic particles.

WARNING: Handling the power cord on corded products may expose you to lead, a chemical known to cause cancer and birth defects or other reproductive harm. ***Wash hands after handling.***

WARNING

Keep work area clean and well lit. Cluttered and dark areas invite accidents.

Do not operate power tools in explosive atmospheres, such as in the presence of flammable liquids, gases or dust. Power tools create sparks which may ignite the dust or fumes.

Keep children and bystanders away while operating a power tool. Distractions can cause you to lose control.

ELECTRICAL SAFETY

WARNING

Avoid body contact with earthed or grounded surfaces such as pipes, radiators, ranges and refrigerators. There is an increased risk of electric shock if your body is earthed or grounded.

Do not expose power tools to rain or wet conditions. Water entering a power tool will increase the risk of electric shock.

PERSONAL SAFETY

WARNING

Stay alert, watch what you are doing and use common sense when operating a power tool. Do not use a power tool while you are tired or under the influence of drugs, alcohol or medication. A moment of inattention while operating power tools may result in serious personal injury.

Dress properly. Do not wear loose clothing or jewellery. Keep your hair, clothing and gloves away from moving parts. Loose clothes, jewellery or long hair can be caught in moving parts.

Avoid accidental starting. Be sure switch is in the locked or off position before inserting battery pack. Carrying tools with your finger on the switch or inserting the battery pack into a tool with the switch on invites accidents.

Use safety equipment. Always wear eye protection. Safety equipment such as dust mask, non-skid safety shoes, hard hat, or hearing protection used for appropriate conditions will reduce personal injuries.

Remove any adjusting key or wrench before turning the power tool on. A wrench or a key left attached to a rotating part of the power tool may result in personal injury.

Do not overreach. Keep proper footing and balance at all times. This enables better control of the power tool in unexpected situations.

If devices are provided for the connection of dust extraction and collection facilities, ensure these are connected and properly used. Use of these devices can reduce dust-related hazards.

CAUTION

Use clamps or other practical way to secure and support the workpiece to a stable platform. Holding the work by hand or against your body is unstable and may lead to loss of control.

Do not force tool. Use the correct tool for your application. The correct tool will do the job better and safer at the rate for which it is designed.

Do not use tool if switch does not turn it on or off. A tool that cannot be controlled with the switch is dangerous and must be repaired.

Disconnect battery pack from tool or place the switch in the locked or off position before making any adjustments, changing accessories, or storing the tool. Such preventive safety measures reduce the risk of starting the tool accidentally.

Store idle tools out of reach of children and other untrained persons. Tools are dangerous in the hands of untrained users.

When battery pack is not in use, keep it away from other metal objects like: paper clips, coins, keys, nails, screws, or other small metal objects that can make a connection from one terminal to another. Shorting the battery terminals together may cause sparks, burns, or a fire.

Maintain tools with care. Keep cutting tools sharp and clean. Properly maintained tools with sharp cutting edge are less likely to bind and are easier to control.

Check for misalignment or binding of moving parts, breakage of parts, and any other condition that may affect the tool's operation. If damaged, have the tool serviced before using. Many accidents are caused by poorly maintained tools.

Use only accessories that are recommended by the manufacturer for your model. Accessories that may be suitable for one tool may create a risk of injury when used on another tool.

BATTERY TOOL USE AND CARE

CAUTION

Ensure the switch is in the off position before inserting battery pack. Inserting the battery pack into power tools that have the switch on invites accidents.

Recharge only with the charger specified by the manufacturer. A charger that is suitable for one type of battery pack may create a risk of fire when used with another battery pack.

Use power tools only with specifically designated battery packs. Use of any other battery packs may create a risk of injury and fire.

When battery pack is not in use, keep it away from other metal objects like paper clips, coins, keys, nails, screws, or other small metal objects that can make a connection from one terminal to another. Shorting the battery terminals together may cause burns or a fire.

Under abusive conditions, liquid may be ejected from the battery; avoid contact. If contact accidentally occurs, flush with water. If liquid contacts eyes, additionally seek medical help. Liquid ejected from the battery may cause irritation or burns.

SERVICE

Have your power tool serviced by a qualified repair person using only identical replacement parts. This will ensure that the safety of the power tool is maintained

Tool service must be performed only by qualified repair personnel. Service or maintenance performed by unqualified personnel may result in a risk of injury.

When servicing a tool, use only identical replacement parts. Follow instructions in the Maintenance section of this manual. Use of unauthorized parts or failure to follow Maintenance Instructions may create a risk of shock or injury.

CAUTION

Hold tool by insulated gripping surfaces when performing an operation where the cutting tool may contact hidden wiring. Contact with 'live' wire will also make exposed metal parts of the tool 'live' and shock the operator.

Keep hands away from moving parts. Never place your hands near the moving area.

Use extra caution when moving overhead and pay particular attention to overhead wires, which may be hidden from view. Anticipate the path of falling branches and debris ahead of time.

Do not operate this tool for long periods of time. Vibration caused by the operating action of this tool may cause permanent injury to fingers, hands, and arms. Use gloves to provide extra cushion, take frequent rest periods, and limit daily time of use.

This power tool is intended to function as a buffer or polisher. Read all safety warnings, instructions, illustrations and specifications provided with this power tool. Failure to follow all instructions listed below may result in electric shock, fire and serious injury.

Wear personal protective equipment. Depending on application, use face shield, safety goggles or safety glasses. As appropriate, wear dust mask, hearing protectors, gloves and shop apron capable of stopping small abrasive or workpiece fragments. The eye protection must be capable of stopping flying debris generated by various operations. The dust mask or respirator must be capable of filtering particles generated by your operation. Prolonged exposure to high intensity noise may cause hearing loss.

Keep bystanders safe distance away from work area. Anyone entering the work area must wear personal protective equipment. Fragments of workpiece or of a broken accessory may fly away and cause injury beyond immediate area of operation.

Do not run the power tool while carrying it at your side.

Regularly clean the power 'tool's air vents. The motor's fan will draw the dust inside the housing and excessive accumulation of powdered metal may cause electrical hazards.

Do not operate the power tool near flammable materials. Sparks could ignite these materials.

Maintain a firm grip on the power tool and position your body and arm to allow you to resist vibration forces.

Never place your hand near the rotating part.

Wear appropriate personal hearing protection during use. Under some conditions and duration of use, noise from this product may contribute to hearing loss.

English

SYMBOLS

The label on your tool may include the following symbols. The symbols and their definitions are as follows:

SYMBOL	NAME	EXPLANATION
V	Volts	Voltage (potential)
n _o	No Load Speed	No-load Rotational Speed
kg	Kilograms	Weight
—	Direct Current	Type of Current
.../min	Revolutions per Minute	Revolutions, Surface Speed, Strokes, etc. per Minute

FUNCTIONAL DESCRIPTION



CONTROLS AND COMPONENTS:

- | | |
|--------------------------------|-------------------------------------|
| 1. 3" Sanding pad | 2. Battery indicator |
| 3. Side Handle | 4. Forward / Reverse Control Button |
| 5. Variable Speed Switch | 6. Anti-slip Soft Grip |
| 7. Battery Pack Release Button | 8. Battery Pack |

English

SPECIFICATIONS

Model Number	ARS1212
Voltage	12 Vdc
Pad Diameter	3" (75 mm)
Orbit per Minute	0-2,800 RPM
Tool Weight	1.93 lbs (0.88 kg)

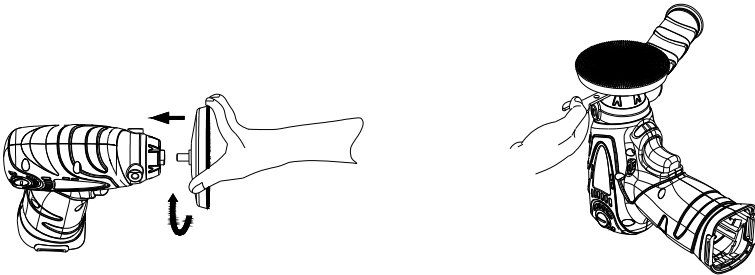
ASSEMBLY

INSTALLING OR REMOVING BATTERY PACK

TO REMOVE BATTERY PACK: Depress the battery pack release button (7) and pull the battery pack (8) out of tool.

TO INSTALL BATTERY PACK: Push the battery pack (8) onto tool until it locks in place.

INSTALLING THE SANDING PAD



INSTALLING ACCESSORIES WITH VELCRO DESIGN

The polisher is designed to use 3" size Velcro sanding pad. Put the accessory on the sanding pad. The Velcro design is using hook side engages the loops for a secure grip.

INSTALLING SIDE HANDLE

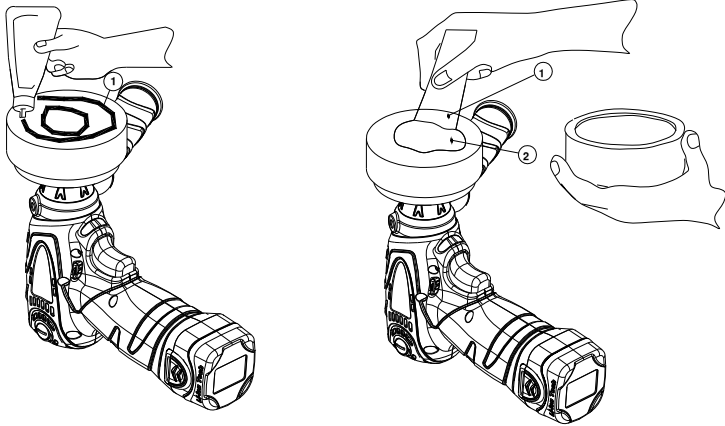
The auxiliary side handle (3) may be mounted for either left-handed or right-handed user.

NOTE

Always check the direction of the rotation before use. Do not change direction while the tool is doing the work.

APPLYING WAX TO A WORK SURFACE

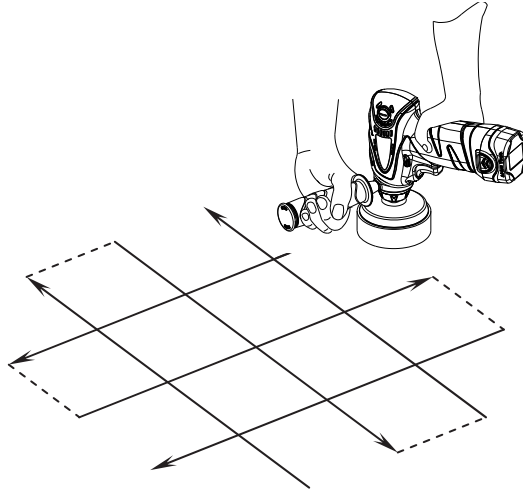
1. Attached the foam compounding pad on the sanding pad.
2. Apply wax to the pad. Do not apply wax directly to the work surface.
 - a. **Liquid wax:** Apply two swirls of wax over the wax applicator pad. Apply more wax to the pad as needed to finish waxing the work surface. The pad will not absorb as much wax when reloading.
 - b. **Paste wax:** Use a putty knife or flat object to spread about a heaping teaspoonful of wax evenly over the surface of the wax applicator pad.



NOTE

Due to its heavier consistency, using paste wax requires the 12V battery pack to work harder when applying and removing the wax. This will shorten the run time of the battery. For optimal battery performance, liquid wax is preferable.

3. Place the tool on the work surface and press the switch.
 - a. Use across-the-board strokes in a crisscross pattern on large flat surfaces.
 - b. Do not press down on the tool while using. The weight and rotation of the tool make the work go well.
 - c. Do not operate the tool when it is not on a work surface.



4. Release the switch to the OFF position.
5. Remove the wax applicator pad from the sanding pad.
 - a. Use the pad to hand polish hard to reach surfaces.
 - b. Dispose of the pad properly. DO NOT reuse it.

NOTE

1. This action is not necessary on irregularly shaped surfaces.
2. If the bonnet comes off during use, you may be using too much wax or running the tool when it is not on a work surface.
3. The wax and polishing solution containers shown in the illustrations is representative. Actual containers may vary.

BUFFING EXCESS WAX FROM SURFACE OR POLISHING A WAXED SURFACE

1. Put the wool bonnet or the polishing bonnet. Make sure the bonnet band securely and evenly around the foam pad.
2. Place the tool on the surface and press the switch to the start position.
3. Buff or polish the wax on the work surface in the same order it was applied.
 - a. Use across-the-board strokes in a crisscross pattern on flat surfaces.
 - b. Do not press down on the polisher while using. The weight and rotation of the tool make the work go well.
4. Release the switch to the OFF position.
5. Remove the wool bonnet or the polishing bonnet from the sanding pad.

TIPS FOR WAXING, BUFFING AND POLISHING

1. Make sure the work surface is clear. Any objects on the work surface that could tear the bonnet or damage the foam pad.
2. Place the tool on the work surface before turning the switch on. Hold the tool with both hands to control and guide the tool over the work surface.
3. Move the tool across-the-broadly and evenly over the entire work surface. The weight and rotation of the tool alone is sufficient for normal use. Additional pressure will make the waxing and polishing action different, providing an uneven finish. It will also shorten battery run-time. Do not make the tool to remain in one place on the work surface.
4. Move up the tool from the work surface before turning the tool off. Do not turn the tool off while it is resting on the work surface.
5. Do not use the tool without a bonnet; the foam pad or the work surface may be damaged.
6. Do not make any adjustments to the tool while operating.
7. Do not apply, buff and polish a work surface in direct sunlight.
8. Do not leave wax on a work surface for an extended time period.
9. When wax is difficult to remove, do not force down on the tool. Remove the wax buildup by hand.
10. Follow up the advice provided with the wax to avoid wax removal problems or paint damage.

TIPS FOR CAR CARE

1. Applying, buff and polish the car three to four times per year to ensure paint protection.
2. Wash the car at least every two to three weeks, preferably with a car wash solution that will not harm the finish or strip the wax. Avoid washing with household detergents.
3. Wash with a clean sponge and dry with a soft, clean with terry cloth towel to prevent dirt from scratching the paint. Operate from the top to the bottom.
4. Clean bugs, bird droppings, tree sap, and tar daily from the car's surface.
5. Make sure the car's surface is cool before applying.
6. Avoid parking near sprinklers. Water spots are difficult to remove.
7. Spray glass cleaner chemicals onto a towel, not directly on the window. This will keep the chemicals away from car's painted surfaces.

REPLACE THE SANDING PAD

Use the hand grip the sanding pad then reverse the tool direction, the sanding pad will be screwed off the tool.

⚠ WARNING

Remove the battery pack from this tool before cleaning solutions.

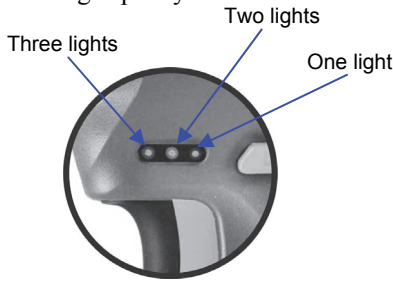
NOTE

This tool is lubricated before it leaves the factory. This lubrication should last for the life of the tool. No further lubrication is required.

BATTERY POWER INDICATOR

Use the Battery Power Indicator to show the battery pack's remaining capacity. Press the Variable Speed Switch (6) to display the lights:

1. One light ON: 30% remaining capacity.
2. Two lights ON: 60% remaining capacity.
3. All lights ON: 100% remaining capacity.



NOTE

Always set switch to off position when operate these operations.

CLEANING

With the motor running, blow dirt and dust out of all air vents with dry air at least once a week. Wear safety glasses when performing this. Exterior plastic parts may be cleaned a damp cloth and mild detergent. Although these parts are highly solvent resistant, NEVER use solvent.

ACCESSORIES

Use only accessories that are recommended by the manufacturer for your model. Accessories that may be suitable for one tool may become hazardous when used on another tool.

Recommended accessories for use with your tool are available at extra cost from your local service center.

IMPORTANT: To assure product SAFETY and RELIABILITY, repairs, maintenance and adjustments should be performed by certified service centers or other qualified service organizations, always using identical replacement parts.

PROTECTING THE ENVIRONMENT

Before disposing of damaged, check with your state Environmental Protection Agency to find out about special restrictions on the disposal of tool or return them to a certified service center for recycling.



ACDelco, ACDelco Emblem and the ACDelco related graphics are General Motors Trademarks used under license to Mobiletron Electronics Co., Ltd.

MERCI D'AVOIR CHOISI CE PRODUIT

ACDelco offre des produits à des prix abordables et nous espérons que ce produit ainsi que notre assistance technique vous satisferont pleinement. Si vous avez besoin d'assistance, n'hésitez pas à nous contacter.

UTILISATION PREVUE

Cet outil est uniquement prévu pour une utilisation personnelle.

Cette polisseuse a été conçue pour lustrer et polir la peinture, le métal et les surfaces en plastique de façon à obtenir une finition ultrabrillante.

RÈGLES GÉNÉRALES DE SÉCURITÉ

AVERTISSEMENT

LISEZ ET COMPRENEZ TOUTES LES INSTRUCTIONS. Si vous ne respectez pas les instructions indiquées ci-dessous, vous risquez de provoquer un choc électrique ou un incendie, et de vous blesser sérieusement. Le terme « outil électrique » dans tous les avertissements ci-dessous fait référence à votre outil électrique branché sur le secteur (avec cordon) ou à votre outil électrique alimenté par une batterie (sans cordon).

CONSERVEZ CES INSTRUCTIONS EN CAS DE BESOIN FUTUR

SACHEZ RECONNAITRE LES SYMBOLES, LES MOTS, ET LES AVIS DE SECURITE

Le but des instructions de sécurité fournies dans ce manuel n'est pas de couvrir tous les cas possibles pouvant se présenter pendant le fonctionnement, la maintenance et le nettoyage des outils.

Faites toujours preuve de bon sens et faites particulièrement attention aux instructions marquées **DANGER**, **AVERTISSEMENT**, **ATTENTION** et **AVIS** dans ce manuel.



DANGER

C'est le symbole d'alerte de sécurité. Il est utilisé pour vous avertir d'un risque de dommages corporels. Obéissez à tous les messages de sécurité qui suivent ce symbole pour éviter tous les risques de dommages corporels.

DANGER indique une situation dangereuse imminente qui, si elle n'est pas évitée, risque d'entraîner la mort ou des dommages corporels graves.

AVERTISSEMENT

AVERTISSEMENT indique une situation potentiellement dangereuse qui, si elle n'est pas évitée, risque d'entraîner la mort ou des dommages corporels graves.

ATTENTION

ATTENTION indique une situation potentiellement dangereuse qui, si elle n'est pas évitée, risque d'entraîner des dommages corporels mineurs ou modérés.

REMARQUE

AVIS fournit des informations supplémentaires utiles pour l'utilisation et la maintenance de cet outil. Assurez-vous de comprendre parfaitement les AVIS indiqués.

IDENTIFICATION D'ÉTIQUETTE D'AVERTISSEMENT



Lisez les manuels avant d'utiliser le produit.



Port de protection oculaire.



Port d'une protection auditive.



Port d'un masque anti-poussière



Port de protection respiratoire.



Les outils vibrent lorsque vous les utilisez.



Ne transportez pas l'outil en le tenant par le cordon.



Positionnez votre corps de manière bien équilibrée et stable. Ne jouez pas au plus malin lorsque vous utilisez cet outil.

RÈGLES IMPORTANTES DE SÉCURITÉ

⚠ DANGER

Lors de l'utilisation d'outils électriques, évitez toujours de vous exposer à des particules ou de la poussière nocives et de les respirer.

AVERTISSEMENT : La poussière générée par le ponçage, le sciage, le broyage, le forage et d'autres activités de construction contient des composants chimiques connus pour causer le cancer, des anomalies congénitales ou d'autres problèmes de reproduction.

Voici quelques-uns de ces composants chimiques:

- Le plomb provenant des peintures à base de plomb.
- La silice cristallisée provenant des briques et du ciment et d'autres produits de maçonnerie, et l'arsenic et le chrome provenant des pièces en bois traitées chimiquement.

Votre risque d'exposition dépend de votre fréquence de travail. Pour réduire votre exposition à ces composants chimiques : travaillez dans un endroit bien ventilé et travaillez avec des équipements de sécurité certifiés, comme les masques anti-poussière spécialement conçus pour filtrer les particules microscopiques.

AVERTISSEMENT : La manipulation des cordons d'alimentation vous expose à du

Français

plomb, un composant chimique connu pour causer le cancer, des anomalies congénitales ou d'autres problèmes de reproduction. *Lavez-vous les mains après manipulation.*

ESPACE DE TRAVAIL

AVERTISSEMENT

Gardez votre espace de travail propre et bien éclairé. Le désordre et le manque d'éclairage sont des conditions propices aux accidents.

N'utilisez pas les outils électriques dans des atmosphères explosives, comme en présence de liquides inflammables, de gaz ou de poussière. Les outils électriques génèrent des étincelles risquant d'enflammer la poussière ou la fumée.

Gardez les enfants et les spectateurs hors d'atteinte pendant le fonctionnement d'un outil électrique. Des distractions peuvent vous faire perdre le contrôle.

SÉCURITÉ ÉLECTRIQUE

AVERTISSEMENT

Évitez tout contact entre votre corps et des surfaces connectées à la masse/terre comme des tuyaux, des radiateurs, des gazinières et des réfrigérateurs. Le risque de choc électrique augmente si votre corps est relié à la masse/terre.

N'exposez pas les outils électriques à la pluie ou à l'humidité. Toute pénétration d'eau à l'intérieur de l'outil augmentera les risques d'électrocution.

SÉCURITÉ PERSONNELLE

AVERTISSEMENT

Restez attentif, faites attention à ce que vous faites et utilisez votre bon sens lorsque vous manipulez l'outil électrique. N'utilisez pas un outil électrique quand vous êtes fatigué ou sous l'influence de drogue, d'alcool ou de médicaments. Un moment d'inattention pendant le fonctionnement de l'outil électrique peut engendrer des blessures corporelles graves.

Habillez-vous de manière appropriée. Ne portez pas des vêtements amples ou des bijoux. Gardez vos cheveux, vos vêtements et vos gants hors d'atteinte des pièces en mouvement. Les vêtements amples et les bijoux ou les longs cheveux risquent d'être happés par des pièces en mouvement.

Évitez les démarrages accidentels. Vérifiez que l'interrupteur est verrouillé ou sur la position ARRÊT avant d'installer la batterie. Le transport des outils avec le doigt sur l'interrupteur ou l'installation de la batterie avec l'interrupteur sur MARCHE sont des situations propices aux accidents.

Utilisez des équipements de sécurité. Portez toujours des protections oculaires. L'utilisation d'équipement de sécurité comme un masque anti-poussière, des

chaussures de sécurité anti-dérapantes, un casque de sécurité ou des protections auditives réduiront les risques de blessures corporelles.

Retirez toute clavette ou clé de calage avant d'allumer l'outil électrique. Un clé ou une clavette laissée sur un composant rotatif de l'outil électrique risque de causer des dommages corporels.

Ne jouez pas au plus malin. Gardez constamment vos appuis et votre équilibre. Ceci permet de mieux contrôler votre outil électrique dans des situations inattendues.

Si des appareils sont fournis pour la connexion d'extracteur et de collecteur de poussière, vérifiez qu'ils sont bien connectés et correctement utilisés. L'utilisation de ces appareils permet de réduire les dangers dus à la poussière.

UTILISATION ET ENTRETIEN DE L'OUTIL

ATTENTION

Utilisez des clames ou d'autres méthodes pratiques pour fixer et supporter la pièce de fabrication sur une plateforme stable. Le maintien de la pièce avec votre main ou contre votre corps n'est pas stable et risque de vous faire perdre le contrôle.

Ne forcez pas l'outil. Utilisez l'outil adapté à l'application. L'outil adapté donnera des meilleurs résultats et permettra d'effectuer la tâche en toute sécurité.

N'utilisez pas l'outil si l'Interrupteur à vitesse variable ne fonctionne pas correctement. Un outil dont l'Interrupteur à vitesse variable ne fonctionne pas est dangereux et doit être réparé.

Déconnectez la batterie de l'outil ou commutez l'interrupteur en position de verrouillage ou d'arrêt avant d'effectuer un réglage, un changement d'accessoires ou de le stocker. De telles mesures préventives réduisent les risques de démarrage accidentel de l'outil.

Stockez les outils inutilisés hors d'atteinte des enfants et des personnes qui ne sont pas habilitées à utiliser ces outils. Les outils sont dangereux dans les mains d'utilisateurs non formés.

Lorsque la batterie n'est pas utilisée, conservez-la à l'abri des objets métalliques comme les trombones, les pièces de monnaie, les clés, les ciseaux, les vis ou autre petit objet en métal risquant de connecter deux bornes entre elles. Un court-circuit des bornes de la batterie entraînera des étincelles, des brûlures ou un incendie.

Prenez soin de vos outils. Gardez vos outils de coupe propres et tranchants. Des outils correctement entretenus avec un bord bien tranchant seront moins contraignants et plus faciles à contrôler.

Vérifiez qu'il n'y a aucun problème d'alignement ou de fixation sur les pièces mobiles, de cassure des composants ou d'autres conditions qui risqueraient d'affecter le fonctionnement de l'outil. Si l'outil est endommagé, faites-le réparer avant de l'utiliser. De nombreux accidents sont causés par des outils mal entretenus.

Français

Utilisez uniquement les accessoires recommandés par le fabricant pour votre modèle. Des accessoires adaptés à un outil peuvent devenir dangereux s'ils sont utilisés avec un autre outil.

UTILISATION ET ENTRETIEN DE LA BATTERIE

ATTENTION

Vérifiez que l'interrupteur est sur la position d'arrêt avant d'installer la batterie. L'installation d'une batterie dans un outil allumé risque de causer des accidents.

Rechargez la batterie uniquement avec le chargeur spécifié par le fabricant. Un chargeur adapté à un type de batterie peut créer un risque d'incendie s'il est utilisé avec une autre batterie.

Utilisez les outils électriques uniquement avec les batteries spécifiées. L'utilisation d'une autre batterie constitue un risque d'incendie ou de blessures

Lorsque la batterie n'est pas utilisée, gardez-la à l'abri des objets métalliques comme les trombones, les pièces de monnaie, les clés, les ciseaux, les vis ou autre petit objet en métal risquant de connecter deux bornes entre elles. Le court-circuit des bornes de la batterie peut causer des étincelles, des brûlures ou un incendie.

Dans des conditions abusives, du liquide risque d'être éjecté de la batterie. Évitez tout contact. En cas de contact accidentel, rincez abondamment à l'eau. Si du liquide entre en contact avec vos yeux, consultez votre médecin. Le liquide éjecté de la batterie cause des irritations ou des brûlures.

RÉPARATION

Faites réparer votre outil électrique par un technicien qualifié en utilisant uniquement des pièces de rechange identiques. Ceci permet de préserver la sécurité de l'outil électrique.

La réparation de l'outil doit être effectuée par un technicien qualifié. Toute réparation ou maintenance effectuée par un technicien non qualifié risque de causer des blessures.

Lors de la réparation d'un outil, utilisez uniquement des pièces de rechange identiques. Suivez les instructions dans la section Maintenance de ce manuel. L'utilisation de pièces non autorisées ou le non respect des instructions de maintenance constitue un risque de choc électrique ou de blessures.

RÈGLES ET SYMBOLES SPÉCIFIQUES DE SÉCURITÉ

ATTENTION

Maintenez l'outil par les surfaces antidérapantes isolantes quand vous effectuez une tâche ou l'outil de coupe risque d'entrer en contact avec des câbles électriques cachés. Le contact avec des câbles sous tension mettra les pièces métalliques exposées de l'outil également sous tension et électrocutera l'opérateur.

Gardez vos mains éloignées des pièces en rotation. Ne mettez jamais vos mains à proximité de la zone en rotation.

Prenez des précautions supplémentaires lors d'un polissage au-dessus de votre tête, et faites particulièrement attention aux câbles que vous risquez de ne pas voir. Anticipez la chute des branches et des débris.

N'opérez pas cet outil pendant des longues durées. La vibration causée par l'utilisation de cet outil risque de blesser irrémédiablement vos doigts, vos mains et vos bras. Utilisez des gants pour avoir un rembourrage supplémentaire, reposez-vous fréquemment et limitez la durée des utilisations quotidiennes.

Cet outil électrique est prévu pour être utilisé comme lustreuse ou polisseuse. Pour votre sécurité, lisez tous les avertissements, instructions, illustrations et spécifications fournis avec cet outil électrique. Si vous ne respectez pas les instructions indiquées ci-dessous, vous risquez de provoquer un choc électrique ou un incendie, et de vous blesser sérieusement.

Portez des équipements de protection. Suivant l'application, utilisez un écran de protection facial et des lunettes de sécurité. Quand c'est approprié, portez un masque anti-poussière, des protecteurs auditifs, des gants et un tablier capable de stopper les petits éléments abrasifs ou des fragments des pièces de fabrication. La protection oculaire doit pouvoir stopper les débris volants générés par différentes opérations. Le masque anti-poussière ou le respirateur doit pouvoir filtrer les particules générées par vos actions. Une exposition prolongée à des bruits forts et intenses causera des pertes auditives.

Gardez les spectateurs à une distance de sécurité de la zone de travail. Toute personne entrant dans la zone de travail doit porter des équipements de protection individuelle. Les fragments d'une pièce ou d'un accessoire cassé risquent de voler et de blesser les personnes se trouvant dans l'espace de travail.

Ne démarrez pas l'outil électrique lorsque vous le portez contre vous.

Nettoyez régulièrement les orifices d'aération de l'outil électrique. Le ventilateur du moteur aspire la poussière à l'intérieur et une accumulation excessive de poudre métallique risque de causer des dangers électriques.

N'utilisez pas l'outil électrique à proximité de matériaux inflammables. Des étincelles risquent d'enflammer ces matériaux.

Maintenez fermement l'outil électrique et positionnez votre corps et votre bras pour résister aux vibrations.

Ne placez jamais votre main à proximité du composant en rotation.

Portez des protections auditives appropriées pendant l'utilisation. Sous certaines conditions et durée d'utilisation, le bruit généré par cet appareil peut contribuer à une perte auditive.

Français

SYMBOLES

L'étiquette sur votre outil inclut les symboles suivants. Les symboles et leurs définitions sont :

SYMBOLE	NOM	DESCRIPTION
V	Volts	Tension (potentiel)
n _o	Vitesse à vide	Vitesse de rotation à vide
kg	Kilogrammes	Poids
≡	Courant direct	Type de courant
.../min	Tours par minute	Tours, vitesse de surface, courses, etc. par minute

DESCRIPTION FONCTIONNELLE



COMMANDES ET COMPOSANTS:

- | | |
|--|--|
| 1. Patin de ponçage 3" | 2. Indicateur de batterie |
| 3. Poignée latérale | 4. Bouton de commande marche avant / arrière |
| 5. Interrupteur à vitesse variable | 6. Poignée anti-dérapante |
| 7. Bouton de libération de la batterie | 8. Batterie |

SPÉCIFICATIONS

Numéro de modèle	ARS1212
Tension	12 Vcc
Diamètre du plateau	3" (75 mm)
Orbites par minute	0-2.800 (tr/min)
Poids de l'outil	1,93 lbs (0,88 kg)

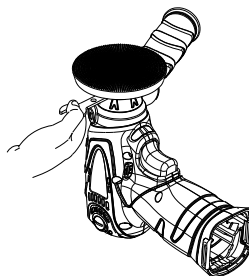
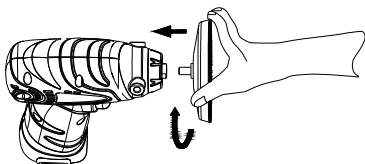
MONTAGE

INSTALLER OU RETIRER LA BATTERIE

POUR RETIRER LA BATTERIE : Appuyez sur le bouton de libération de la batterie (7) et sortez-la (8) de l'outil.

POUR INSTALLER LA BATTERIE : Poussez la batterie (8) dans l'outil jusqu'à ce qu'elle s'enclenche correctement.

INSTALLER LE PATIN DE PONÇAGE



INSTALLER LES ACCESSOIRES AVEC UNE SOLUTION VELCRO

La polisseuse est conçue pour utiliser un patin de ponçage Velcro 3". Mettez l'accessoire sur le patin de ponçage. La solution Velcro utilise un côté avec crochet qui s'engage dans les boucles pour fournir une accroche sécurisée.

INSTALLER LA POIGNEE LATÉRALE

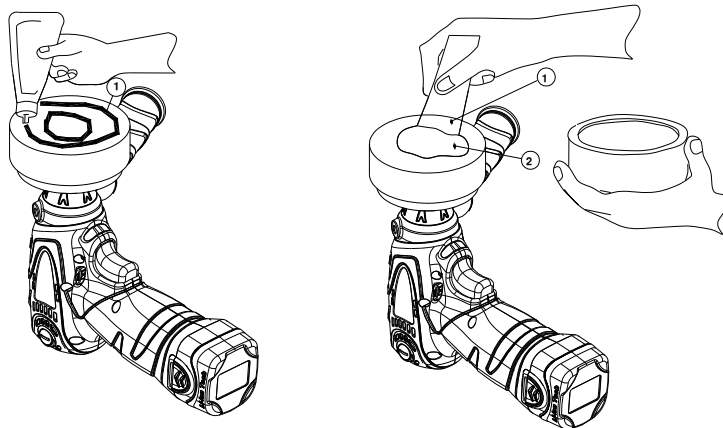
La poignée latérale auxiliaire (3) peut être montée pour les gauchers ou les droitiers.

REMARQUE

Vérifiez toujours le sens de rotation avant l'utilisation. Ne changez pas le sens de rotation lorsque l'outil est en plein travail.

APPLICATION DE LA CIRE SUR LA SURFACE DE TRAVAIL

1. Fixez le disque en mousse sur le patin de ponçage.
2. Appliquez la cire sur le disque. N'appliquez pas la cire directement sur la surface de travail.
 - a. **Cire liquide** : Appliquez deux tourbillons de cire sur le disque applicateur. Appliquez plus de cire sur le disque suivant le besoin pour terminer le cirage de la surface de travail. Le disque n'absorbera pas autant de cire lors de la recharge.
 - b. **Cire en pâte** : utilisez un couteau à mastiquer ou un objet plat pour étaler une cuillerée à café de cire sur la surface du disque applicateur.



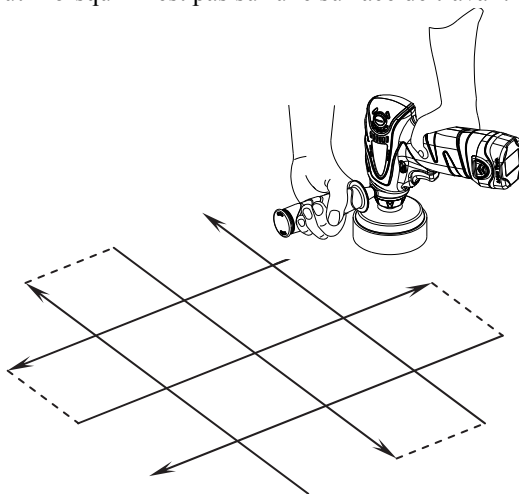
REMARQUE

En raison de sa consistance plus épaisse, la cire en pâte entraîne une plus grande consommation de la batterie 12V pour l'application et l'extraction de la cire. Ceci réduira l'autonomie de la batterie. Pour des performances optimales de la batterie, la cire liquide est un meilleur choix.

3. Placez l'outil sur la surface de travail et appuyez sur l'Interrupteur à vitesse variable.
 - a. Utilisez un mouvement croisé général et uniforme sur des larges surfaces planes.

Français

- b. N'appuyez pas sur l'outil pendant l'utilisation. Le poids et la rotation de l'outil sont suffisants pour effectuer le travail.
- c. N'opérez pas l'outil lorsqu'il n'est pas sur une surface de travail.



4. Mettez l'Interrupteur à vitesse variable sur la position ARRÊT.
5. Retirez le disque applicateur du patin de ponçage.
 - a. Utilisez le disque pour polir à la main les surfaces difficiles d'accès.
 - b. Recyclez le patin correctement. NE le réutilisez PAS.

REMARQUE

1. Cette action n'est pas nécessaire sur des surfaces irrégulières.
2. Si le bonnet s'échappe pendant l'utilisation, alors il y a peut-être trop de cire ou l'outil est sur une surface qui n'est pas plane.
3. Les conteneurs de solution pour le cirage ou le lustrage indiqués dans les illustrations sont représentatifs. Les conteneurs actuels peuvent varier.

LUSTER LA CIRE EN EXCES OU LUSTER UNE SURFACE CIREE

1. Mettez le bonnet en laine ou le bonnet de lustrage. Assurez-vous que la bande du bonnet est fermement et uniformément attachée autour du disque en mousse.
2. Placez l'outil sur la surface et mettez l'Interrupteur à vitesse variable sur la position MARCHE.
3. Lustrez ou polissez la cire sur la surface de travail en suivant le même ordre utilisé auparavant pour l'application de la cire.
 - a. Utilisez un mouvement croisé général et uniforme sur des larges surfaces planes.
 - b. N'appuyez pas sur l'outil pendant l'utilisation. Le poids et la rotation de l'outil sont suffisants pour effectuer le travail.
4. Mettez l'Interrupteur à vitesse variable sur la position ARRÊT.

5. Retirez le bonnet en laine ou le bonnet de lustrage du patin de ponçage.

Conseils pour le cirage, le lustrage, et le polissage

1. Vérifiez que la surface de travail est bien propre. Retirez de la surface de travail tout objet risquant de déchirer le bonnet ou d'abîmer le disque en mousse.
2. Placez l'outil sur la surface de travail avant de le mettre sous tension. Maintenez l'outil avec vos deux mains et guidez-le sur la surface de travail.
3. Déplacez l'outil uniformément sur l'ensemble de la surface de travail. Le poids et la rotation de l'outil sont suffisants pour travailler normalement. Une pression supplémentaire modifiera les actions de cirage et le polissage, engendrant une finition inégale. De plus, cela diminuera l'autonomie de la batterie. Ne gardez pas l'outil statique sur un endroit de la surface de travail.
4. Retirez l'outil de la surface de travail avant de l'éteindre. N'éteignez pas l'outil alors qu'il se trouve encore sur la surface de travail.
5. N'utilisez pas l'outil sans bonnet ; le disque en mousse ou la surface de travail risqueraient d'être endommagés.
6. Ne faites aucun réglage de l'outil lorsqu'il est en fonctionnement.
7. N'appliquez pas, ne lustrez pas et ne polissez pas une surface de travail exposée aux rayons directs du soleil.
8. Ne laissez pas la cire sur une surface de travail pendant une période prolongée.
9. Si la cire est difficile à retirer, ne forcez pas sur l'outil. Retirez la cire accumulée à la main.
10. Suivez les conseils d'utilisation fournis avec la cire pour éviter les problèmes d'extraction de la cire ou de dommage de la peinture.

CONSEILS POUR L'ENTRETIEN DES VOITURES

1. Appliquez, lustrez et polissez votre voiture trois à quatre fois par an pour garantir une bonne protection de la peinture.
2. Lavez votre voiture au moins toutes les deux ou trois semaines, de préférence avec une solution de nettoyage pour voiture qui n'abîmera pas la finition et ne décatera pas la cire. Évitez de laver avec des produits de nettoyage domestiques.
3. Lavez avec une éponge propre et séchez avec un tissu-éponge doux et propre pour éviter que la saleté n'érafle la peinture. Opérez du haut vers le bas.
4. Nettoyez les excréments d'oiseaux et les insectes, la sève d'arbre, et le goudron accumulés quotidiennement sur la surface de la voiture.
5. Assurez-vous que la surface de la voiture est froide avant l'application.
6. Évitez de vous garer à proximité d'arroseurs automatiques. Les taches d'eau sont difficiles à retirer.
7. Vaporisez un nettoyant pour les vitres sur une serviette, pas directement sur la fenêtre. Ceci évitera que les produits chimiques entrent en contact avec les surfaces peintes de la voiture.

REEMPLACER LE PATIN DE PONÇAGE

Saisissez la poignée et le patin de ponçage et inversez le sens de rotation de l'outil, et le patin se dévisse.

▲ AVERTISSEMENT

Retirez la batterie de cet outil avant de nettoyer.

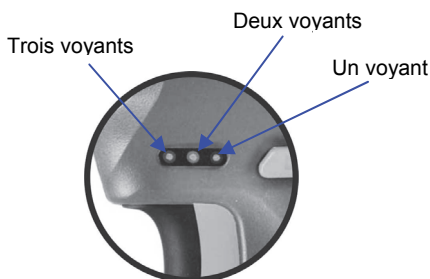
REMARQUE

Cet outil est lubrifié avant de quitter l'usine. Cette lubrification dure toute la durée de vie de l'outil. Aucune lubrification supplémentaire n'est nécessaire.

INDICATEUR DE CHARGE DE LA BATTERIE

Utilisez l'indicateur de charge de la batterie pour afficher la capacité restante de la batterie. Appuyez sur le Interrupteur à vitesse variable pour allumer les voyants:

1. Un voyant allumé: 30% de capacité restante.
2. Deux voyants allumés: 60% de capacité restante.
3. Tous les voyants allumés: 100% de capacité restante.



REMARQUE

Toujours mettre l'interrupteur hors tension pendant ces manipulations.

NETTOYAGE

Avec le moteur allumé, soufflez pour extraire la saleté et la poussière des orifices d'aération avec de l'air sec au moins une fois par semaine. Portez des lunettes de sécurité quand vous faites ce nettoyage. Les composants extérieurs en plastiques peuvent être nettoyés avec un chiffon humide et un détergent doux. Bien que ces composants soient résistants aux solvants de nettoyage, n'utilisez JAMAIS de solvant.

ACCESSOIRES

Utilisez uniquement les accessoires recommandés par le fabricant pour votre modèle. Les accessoires adaptés à un outil peuvent devenir dangereux s'ils sont utilisés avec un autre outil.

Les accessoires recommandés pour votre outil sont disponibles auprès de votre centre de services local pour un coût supplémentaire.

IMPORTANT : Pour garantir la SÉCURITÉ et la FIABILITÉ, les réparations, la maintenance et les réglages doivent être effectués par des centres de services certifiés ou d'autres organisations de services qualifiées en utilisant toujours des pièces de rechange identiques.

PROTECTION DE L'ENVIRONNEMENT

Avant de jeter les composants usagés, vérifiez auprès de votre agence de protection de l'environnement pour connaître les restrictions spécifiques concernant le recyclage des outils ou leur retour dans un centre de recyclage agréé.



ACDelco, l'emblème de ACDelco et les illustrations associées à ACDelco sont des marques commerciales déposées de General Motors utilisées sous licence à Mobiletron Electronics Co., Ltd.

GRACIAS POR ELEGIR ESTE PRODUCTO

ACDelco le ofrece productos a un precio asequible y nos gustaría que quedara completamente satisfecho con este producto y nuestro soporte técnico. Si necesita ayuda o consejo, contacte con nosotros.

USO INTENCIONADO

Esta herramienta es sólo para uso personal.

Esta pulidora ha sido diseñada para raspar y pulir superficies de pintura, metal y plástico con un acabado brillante.

NORMAS DE SEGURIDAD GENERAL

ADVERTENCIA

LEA Y COMPRENDA TODAS LAS INSTRUCCIONES. Si no sigue todas las instrucciones siguientes podría provocar descarga eléctrica, fuego y/o lesiones serias. El término "herramienta de potencia" en todas las advertencias listadas a continuación se refiere a su herramienta de potencia por corriente (con cable) o a herramienta de potencia (sin cable).

GUARDE ESTAS INSTRUCCIONES PARA SU REFERENCIA EN EL FUTURO

RECONOCER LOS SÍMBOLOS, PALABRAS Y ETIQUETAS DE SEGURIDAD

Las instrucciones de seguridad ofrecidas en este manual no pretenden cubrir todas las condiciones y prácticas posibles que puedan ocurrir al utilizar, mantener y limpiar las herramientas de corriente.

Utilice siempre el sentido común y preste especial atención a todos los avisos de **PELIGRO, ADVERTENCIA, PRECAUCIÓN y NOTA** en este manual.



Éste es el símbolo de alerta de seguridad. Se utiliza para avisarle de posibles peligros de lesiones personales. Siga todos los mensajes de seguridad junto a este símbolo para evitar posibles lesiones o muerte.

PELIGRO

PELIGRO indica una situación de peligro inminente que, si no se evita, tendrá como resultado la muerte o lesiones serias.

ADVERTENCIA

ADVERTENCIA indica una situación potencialmente peligrosa que, si no se evita, podría tener como consecuencia la muerte o lesiones serias.

PRECAUCIÓN

PRECAUCIÓN indica una situación potencialmente peligrosa que, si no se evita, podría tener como consecuencia lesiones menores o moderadas.

NOTA

NOTA ofrece información adicional que resulta útil para un uso y mantenimiento adecuados de esta herramienta. Si ve una **NOTA** asegúrese de entenderla por completo.

IDENTIFICACIÓN DE LA ETIQUETA DE ADVERTENCIA



Lea los manuales antes de utilizar el producto.



Lleve protección para los ojos.



Lleve protección para los oídos.



Lleve máscara antipolvo.



Lleve protección de respiración.



Las herramientas con alimentación pueden vibrar al usarlas.



No transporte la herramienta por el cable.



Mantenga el cuerpo firme y equilibrado. No se sobreesfuerce al utilizar esta herramienta.

NORMAS DE SEGURIDAD IMPORTANTES

⚠ PELIGRO

Cuando utilice herramientas de corriente, evite siempre respirar y exponerse al polvo o partículas dañinas.

ADVERTENCIA: El polvo creado por el lijado, serrado, pulido, taladrado y otras actividades de la construcción contiene químicos que provocan según el Estado de California cáncer, defectos de nacimiento u otros daños reproductivos.

Algunos ejemplos de estos químicos son:

- Plomo de pinturas basadas en plomo.
- Sílice cristalino de ladrillos y cemento y otros productos de obra, y arsénico y cromo de madera tratada químicamente.

El riesgo que corre a estas exposiciones varía, dependiendo de la frecuencia con la que realice este tipo de trabajo. Para reducir la exposición a estos químicos: trabaje en un área bien ventilada, y con equipo de seguridad aprobado, como mascarillas antipolvo diseñadas especialmente para filtrar partículas microscópicas.

ADVERTENCIA: Si coge el cable de corriente de los productos con cable podría

exponerle al plomo, un químico que provoca según el estado de California cáncer y defectos de nacimiento u otros daños reproductivos. *Lávese las manos tras manipularlos.*

ÁREA DE TRABAJO

ADVERTENCIA

Mantenga el área de trabajo limpia y bien iluminada. Las áreas atestadas y oscuras invitan a los accidentes.

No utilice herramientas de potencia en atmósferas explosivas, como en presencia de líquidos inflamables, gases o polvo. Las herramientas de potencia crean chispas que pueden prender el polvo o el humo.

Mantenga a los niños y curiosos lejos de una herramienta de potencia. Las distracciones pueden provocar que pierda el control de la máquina.

SEGURIDAD ELÉCTRICA

ADVERTENCIA

Evite el contacto del cuerpo con superficies conectadas a tierra como tuberías, radiadores, cocinas y neveras. Existe un mayor riesgo de descarga eléctrica si su cuerpo está en contacto con tierra.

No exponga las herramientas de potencia a la lluvia o ambientes húmedos. Si entra agua en una herramienta de potencia aumentará el riesgo de descarga.

SEGURIDAD PERSONAL

ADVERTENCIA

Manténgase atento, mire lo que está haciendo y utilice el sentido común cuando trabaje con una herramienta de potencia. No utilice una herramienta de potencia si está cansado o bajo la influencia de drogas, alcohol o medicación. Un momento de distracción durante la utilización de herramientas de potencia puede resultar en graves lesiones personales.

Lleve ropa apropiada. No lleve ropa suelta ni joyas. Mantenga el pelo, ropa y guantes alejados de las partes móviles. Las ropas sueltas, joyas o pelo largo pueden atascarse en las partes móviles.

Evite el inicio accidental. Asegúrese de que el interruptor esté en la posición de apagado (off) antes de insertar la batería. Si transporta la herramienta con el dedo sobre el interruptor o mientras inserta la batería en una herramienta y el interruptor está encendido (on) podría sufrir un accidente.

Utilice equipo de seguridad. Lleve siempre protección en los ojos. El equipo de seguridad como una máscara antipolvo, zapatos de seguridad antideslizantes, casco duro y protección auditiva, cuando se utiliza en las condiciones adecuadas, reducirá

las lesiones personales.

Retire cualquier llave de ajuste antes de encender la herramienta de potencia. Si deja una llave colocada en una parte giratoria de la herramienta de potencia puede provocar lesiones personales.

No realice sobreesfuerzos. Manténgase bien apoyado y equilibrado con los pies en todo momento. Esto permite un mejor control de la herramienta de potencia en situaciones inesperadas.

Si hay dispositivos para la extracción y colecta de polvo, asegúrese de que se conectan y se utilizan correctamente. El uso de estos dispositivos puede reducir peligros relacionados con el polvo.

USO Y CUIDADOS DE LA HERRAMIENTA

PRECAUCIÓN

Utilice abrazaderas u otros medios para asegurar y apoyar la pieza de trabajo en una plataforma segura. Si aguanta la pieza de trabajo con la mano contra su cuerpo, podría desestabilizarse y provocar la pérdida del control.

No fuerce la herramienta. Utilice la herramienta correcta para su aplicación. La herramienta correcta realizará el trabajo mejor y de forma más segura si se utiliza con las especificaciones designadas.

No utilice la herramienta si el interruptor no la enciende y la apaga. Una herramienta que no puede controlarse con el interruptor es peligrosa y debe repararse.

Desconecte la batería de la herramienta o coloque el interruptor en la posición de bloqueo o apagado antes de realizar cualquier ajuste, cambio de accesorios o cuando guarde la herramienta. Estas medidas de seguridad preventivas reducen el riesgo de que la herramienta se active accidentalmente.

Guarde las herramientas fuera del alcance de los niños y otras personas inexpertas. Las herramientas son peligrosas en manos de usuarios inexpertos.

Cuando una batería no se utiliza, guárdela lejos de otros objetos de metal como: clips para papel, monedas, llaves, clavos, tornillos u otros pequeños objetos de metal que puedan conectar un terminal con otro. Si los terminales de la batería se unen podría provocar chispas, quemaduras o un fuego.

Tenga cuidado con el mantenimiento de las herramientas. Mantenga las herramientas de corte afiladas y limpias. Las herramientas correctamente mantenidas con los bordes de corte afilados son menos propensas a doblarse y más fáciles de controlar.

Compruebe si hay partes desviadas o dobladas, partes rotas o cualquier otro estado que pueda afectar a la operación de la herramienta. Si se daña, lleve la herramienta para que la reparen antes de volver a utilizarla. Muchos accidentes son provocados por herramientas con un mantenimiento incorrecto.

Utilice solamente accesorios recomendados por el fabricante para su modelo. Los accesorios que pueden ser apropiados para una herramienta podrían suponer un riesgo de lesión si se utilizan en otra herramienta.

USO Y CUIDADOS DE LA BATERÍA DE LA HERRAMIENTA

PRECAUCIÓN

Asegúrese de que el interruptor esté apagado antes de insertar la batería. Si inserta la batería en herramientas de potencia con el interruptor encendido activado, podría tener accidentes.

Recargar sólo con el cargador especificado por el fabricante. Un cargador apropiado para un tipo de batería puede suponer un riesgo si se utiliza con otra batería distinta.

Utilice herramientas de potencia sólo con las baterías específicamente designadas. El uso de cualquier otra batería podría provocar lesiones y fuego.

Cuando una batería no se utiliza, guárdela lejos de otros objetos de metal como clips para papel, monedas, llaves, clavos, tornillos u otros pequeños objetos de metal que puedan conectar un terminal con otro. Si los terminales de la batería se unen podría provocar quemaduras o un fuego.

En condiciones de uso abusivo, podría salir líquido de la batería; evite el contacto directo. Si entra en contacto accidental, lávese bien con agua. Si el líquido entra en contacto con los ojos, además de lavarse, busque ayuda médica. El líquido expulsado de una batería puede causar irritación o quemaduras.

SERVICIO

Lleve su herramienta de potencia para su reparación a un técnico cualificado que utilice sólo partes de repuesto idénticas. Esto hará que la herramienta de potencia mantenga su seguridad

Las reparaciones de la herramienta deben ser realizadas sólo por personal técnico cualificado. La reparación o mantenimiento realizados por personal no cualificado podría provocar el riesgo de lesiones.

Cuando repare una herramienta, utilice solamente partes de repuesto idénticas. Siga las instrucciones de la sección Mantenimiento en este manual. El uso de partes no autorizadas o si no sigue las instrucciones de mantenimiento puede provocar el riesgo de descarga o lesiones.

NORMAS Y SÍMBOLOS DE SEGURIDAD ESPECÍFICOS

PRECAUCIÓN

Sostenga la herramienta por sus superficies de agarre aisladas cuando realice una operación donde la herramienta de corte pueda contactar con el cableado oculto. El contacto con un cable 'vivo' también expondrá las partes metálicas de la herramienta en 'vivo' y descargar en el usuario.

Mantenga las manos alejadas de las partes móviles. Nunca coloque sus manos cerca del área de movimiento.

Extreme la precaución cuando se mueva por un lugar elevado y preste especial atención a cables elevados, que podrían estar ocultos a la vista. Anticipe la el lugar de caída de ramas y restos antes de tiempo.

No utilice esta herramienta durante períodos prolongados de tiempo. La vibración provocada por la operación de esta herramienta puede provocar lesiones permanentes en los dedos, manos y brazos. Utilice guantes con protección extra, descanse con frecuencia y limite el tiempo diario de uso.

Esta herramienta de potencia ha sido creada para funcionar como raspadora o pulidora. Lea todas las advertencias de seguridad, instrucciones, ilustraciones y especificaciones ofrecidas con esta herramienta de potencia. Si no sigue todas las instrucciones siguientes podría provocar descarga eléctrica, fuego y lesiones serias.

Lleve equipo protector personal. Dependiendo de la aplicación, utilice un protector facial, gafas protectoras o gafas de seguridad. Donde corresponda, lleve máscara antipolvo, protectores auditivos, guantes y un delantal capaz de detener pequeños fragmentos abrasivos o cortantes. La protección de los ojos debe ser capaz de detener restos aéreos generados por varias operaciones. La máscara antipolvo o respirador deben ser capaces de filtrar las partículas generadas por su operación. La exposición prolongada a ruido de alta intensidad puede provocar pérdida auditiva.

Mantenga a los curiosos a una distancia segura lejos del área de trabajo. Cualquiera que entre en el área de trabajo debe llevar equipo protector personal. Fragmentos de la pieza de trabajo o un accesorio roto pueden salir despedidos y causar lesiones más lejos del área inmediata de operación.

No utilice la herramienta de potencia mientras la lleva al lado.

Limpie con regularidad las rejillas de ventilación de la herramienta de potencia. El ventilador del motor recogerá el polvo en el interior de la carcasa y la acumulación excesiva de metal en polvo puede suponer peligros eléctricos.

No utilice la herramienta de potencia cerca de materiales inflamables. Las chispas podrían incendiar estos materiales.

Mantenga la herramienta de potencia bien agarrada y coloque el cuerpo y el brazo de manera que pueda resistir la fuerza de la vibración.

Nunca coloque la mano cerca de la parte giratoria.

Lleve protección auditiva personal apropiada durante su uso. En algunas circunstancias y con el uso prolongado, el ruido del producto puede contribuir a pérdida auditiva.

La etiqueta de la herramienta puede incluir los símbolos siguientes. Los símbolos y sus definiciones son los siguientes:

SÍMBOLO	NOMBRE	EXPLICACIÓN
V	Voltios	Voltaje (potencial)
no	Sin Velocidad de Carga	Velocidad rotatoria sin carga
kg	Kilogramos	Peso
===	Corriente Directa (DC)	Tipo de corriente
.../min	Revoluciones por Minuto	Revoluciones, velocidad de superficie, impactos, etc. por minuto

DESCRIPCIÓN DE LAS FUNCIONES



CONTROLES Y COMPONENTES:

1. Almohadilla lijadora de 3"
2. Escobilla de carbón intercambiable externa
3. Mando lateral
4. Botón de control Adelante / Atrás
5. Interruptor de velocidad variable
6. Agarre suave antideslizante
7. Botón de liberación de la batería
8. Batería

ESPECIFICACIONES

Número de modelo	ARS1212
Voltaje	12 Vdc
Diámetro de la almohadilla	3" (75 mm)
Órbita por minuto	0-2.800 RPM
Peso de la herramienta	1,93 lbs (0,88 kg)

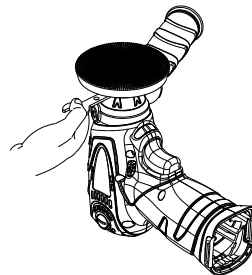
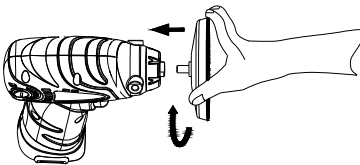
MONTAJE

INSTALAR O QUITAR LA BATERÍA

PARA QUITAR LA BATERÍA: Suelte el botón de liberación de la batería (7) y tire de la batería (8) para sacarla.

PARA INSTALAR LA BATERÍA: Presione la batería (8) contra la herramienta hasta que quede ajustada en su lugar.

INSTALAR LA ALMOHADILLA LIJADORA



INSTALAR LOS ACCESORIOS CON VELCRO

La pulidora ha sido diseñada para utilizar almohadillas pulidoras con Velcro de 3" de tamaño. Coloque el accesorio sobre la almohadilla pulidora. Su diseño con Velcro utiliza un sistema de retención con ganchos para un agarre seguro.

INSTALAR EL MANGO LATERAL

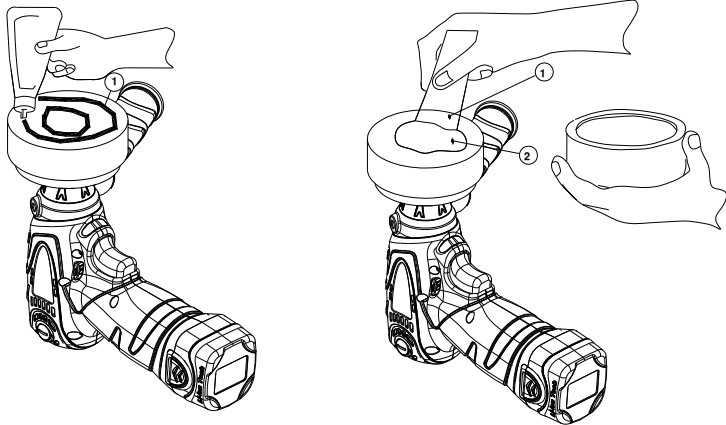
El mango lateral auxiliar (3) puede montarse para usuarios diestros o zurdos.

NOTA

Compruebe siempre la dirección de rotación antes de usar. No cambie la dirección mientras la herramienta está trabajando.

APLICAR CERA A LA SUPERFICIE DE TRABAJO

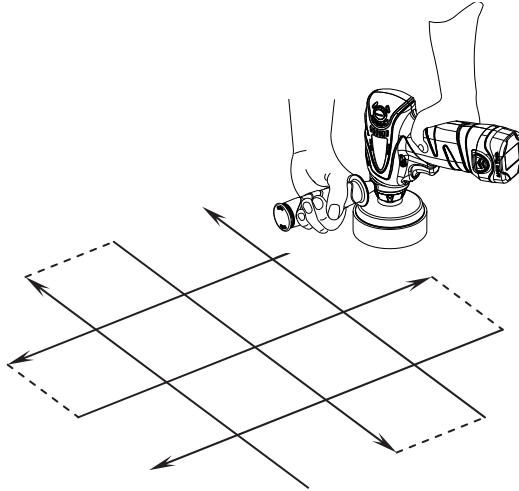
1. Se incluye una almohadilla de compuesto de esponja.
2. Aplique cera en la almohadilla. No aplique la cera directamente sobre la superficie de trabajo.
 - a. **Cera líquida:** Aplique dos espirales de cera sobre la almohadilla aplicadora de cera. Aplique más cera a la almohadilla conforme lo vaya necesitando para finalizar el encerado de la superficie de trabajo. La almohadilla no absorberá tanta cera conforme se vaya rellenando.
 - b. **Cera en pasta:** Utilice un aplicador de masilla u objeto plano para una cucharadita de cera por igual sobre la superficie de la almohadilla aplicadora de cera.



NOTA

Debido a su consistencia más pesada, el uso de la cera de pasta requiere el uso de la batería de 12V para trabajar más duro cuando aplique y quite la cera. Esto acortará el tiempo de trabajo de la batería. Para un rendimiento óptimo de la batería, se aconseja el uso de cera líquida.

3. Coloque la herramienta sobre la superficie de trabajo y presione el Interruptor de velocidad variable.
 - a. Realice movimientos generalizados entrecruzados sobre superficies planas grandes.
 - b. No presione la herramienta durante su uso. El peso y la rotación de la herramienta son suficientes para unos buenos resultados.
 - c. No utilice la herramienta cuando no esté trabajando sobre la superficie.



4. Coloque el interruptor de encendido y apagado en la posición de apagado (OFF).
5. Quite la almohadilla aplicadora de cera de la almohadilla lijadora.
 - a. Utilice la almohadilla para pulir a mano las zonas de difícil acceso.
 - b. Deseche la almohadilla de forma apropiada. NO la reutilice.

NOTA

1. Esto no es necesario en superficies de formas irregulares.
2. Si la almohadilla se desprende durante el uso, puede que esté utilizando demasiada cera o que esté utilizando la herramienta sin estar sobre la superficie de trabajo.
3. Los contenedores de solución de pulimento y cera mostrados en las ilustraciones sirven sólo como referencia. Los que utilice pueden variar.

RASPAR EL EXCESO DE CERA DE LA SUPERFICIE O PULIR UNA SUPERFICIE ENCERADA

1. Coloque la almohadilla de lana o la almohadilla pulidora. Asegúrese de que la almohadilla esté fijada y por igual alrededor de la almohadilla de esponja.
2. Coloque la herramienta sobre la superficie y presione el Interruptor de velocidad variable en la posición de encendido (ON).

3. Raspe o pula la cera sobre la superficie de trabajo del mismo modo en que se ha aplicado.
 - a. Realice movimientos generalizados entrecruzados sobre superficies planas.
 - b. No presione la pulidora durante su uso. El peso y la rotación de la herramienta son suficientes para unos buenos resultados.
4. Coloque el interruptor de encendido y apagado en la posición de apagado (OFF).
5. Retire la almohadilla de lana o la almohadilla pulidora de la almohadilla lijadora.

Consejos para encerar, raspar y pulir

1. Asegúrese de que la superficie de trabajo esté limpia. Cualquier objeto sobre la superficie de trabajo podría romper la almohadilla o dañar la almohadilla de espuma.
2. Coloque la herramienta sobre la superficie de trabajo antes de encenderla. Sostenga la herramienta con ambas manos para controlar y guiar la herramienta sobre la superficie de trabajo.
3. Mueva la herramienta de forma generalizada y por igual sobre toda la superficie de trabajo. El propio peso y rotación de la herramienta es suficiente para el uso normal. Si ejerce presión, provocará que la acción de encerado y pulimento sea diferente, dando como resultado un acabado desigual. También acortará la duración de la batería. No deje la herramienta sobre una misma zona en la superficie de trabajo.
4. Levante la herramienta de la superficie de trabajo antes de apagarla. No apague la herramienta mientras descansa sobre la superficie de trabajo.
5. No utilice la herramienta sin una almohadilla; la almohadilla de esponja o la superficie de trabajo podrían dañarse.
6. No realice ajustes en la herramienta durante su utilización.
7. No aplique, raspe ni pula una superficie de trabajo bajo la luz directa del sol.
8. No deje cera sobre una superficie de trabajo durante mucho tiempo.
9. Cuando resulte difícil quitar la cera, no fuerce la herramienta. Quite la cera concentrada a mano.
10. Siga los consejos ofrecidos por el fabricante de la cera para evitar problemas al quitar la cera o daños en la pintura.

CONSEJOS PARA EL CUIDADO DEL COCHE

1. Aplicar, raspar y pulir el coche tres a cuatro veces al año para asegurar la protección de la pintura.
2. Lave el coche al menos cada dos o tres semanas, preferentemente con jabón para coches que no dañe el acabado ni quite la cera. Evite lavar con detergentes domésticos.
3. Lave con una esponja limpia y seque con un trapo suave, limpio y seco para evitar que la suciedad raye la pintura. Utilizar de arriba hacia abajo.

Español

4. Limpie a diario los insectos, excrementos de pájaros, savia de árboles y el alquitrán de la superficie del coche.
5. Asegúrese de que la superficie del coche esté fría antes de aplicar.
6. Evite aparcar cerca de aspersores. Las gotas de agua son difíciles de eliminar.
7. Pulverice limpiador de cristales en una toalla, nunca directamente sobre el cristal. Procure que los químicos no caigan sobre las superficies pintadas del coche.

CAMBIAR LA ALMOHADILLA LIJADORA

Agarre la almohadilla lijadora e invierta a mano la dirección de la herramienta, la almohadilla saldrá de la herramienta.

MANTENIMIENTO

ADVERTENCIA

Quite la batería de la herramienta antes de usar disoluciones de limpieza.

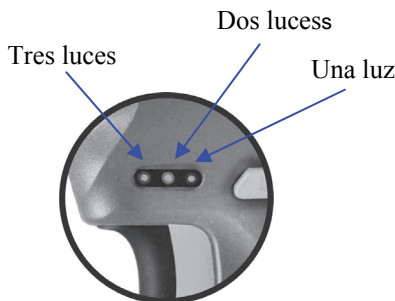
NOTA

Esta herramienta ha sido lubricada antes de salir de fábrica. El lubricante debería durar hasta el final de la vida útil de la herramienta. No necesita más lubricación.

INDICADOR DE CARGA DE LA BATERÍA

Utilice el indicador de carga de la batería para ver la capacidad restante de la batería del paquete. Oprima el Interruptor de velocidad variable para ver las luces:

1. Una luz ENCENDIDA: 30% de capacidad restante
2. Dos luces ENCENDIDAS: 60% de capacidad restante
3. Todas las luces ENCENDIDAS: 100% de capacidad restante



NOTA

Siempre se debe colocar el interruptor en la posición de apagado cuando realice estas operaciones.

LIMPIEZA

Con el motor en funcionamiento, sople la suciedad y el polvo de las rejillas de ventilación con aire seco al menos una vez a la semana. Lleve gafas de seguridad cuando realice esto. Las partes de plástico exteriores pueden limpiarse con un trapo húmedo y detergente suave. Aunque estas partes son muy resistentes a disolventes, NUNCA utilice disolvente.

ACCESORIOS

Utilice solamente accesorios recomendados por el fabricante para su modelo. Los accesorios que pueden ser útiles para una herramienta pueden convertirse en peligrosos al utilizarlos en otra herramienta.

Los accesorios recomendados para usarlos con la herramienta están disponibles para su compra en su centro local de servicios.

IMPORTANTE: Para una mayor SEGURIDAD y FIABILIDAD del producto, las reparaciones, mantenimiento y ajustes deberán realizarse en centros de servicio oficiales u otros servicios técnicos cualificados, utilizando siempre componentes idénticos.

PROTECCIÓN DEL MEDIOAMBIENTE

Antes de tirar una unidad dañada, consulte a su Agencia de Protección Medioambiental si existen restricciones especiales sobre la retirada de herramientas o para devolverlas a un centro de servicios para su reciclaje.



ACDelco, el Emblema ACDelco y los gráficos relacionados con ACDelco son Marcas de General Motors usados bajo la licencia de Mobiletron Electronics Co., Ltd.