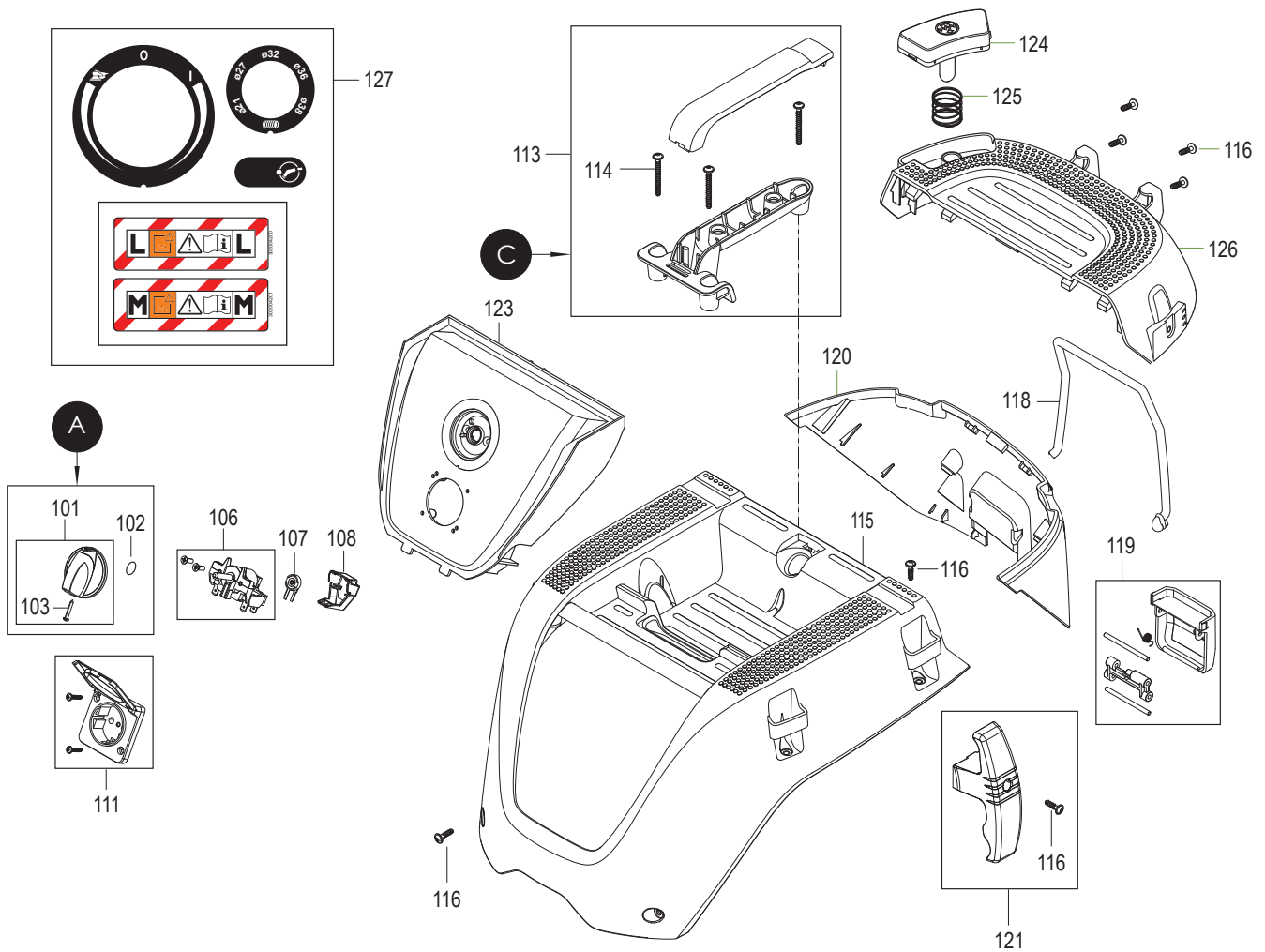


# Exploded view of Dust Extractor 1230 L • PC • 230V & 110V

Updated 30.01.2019



## Parts list – kits

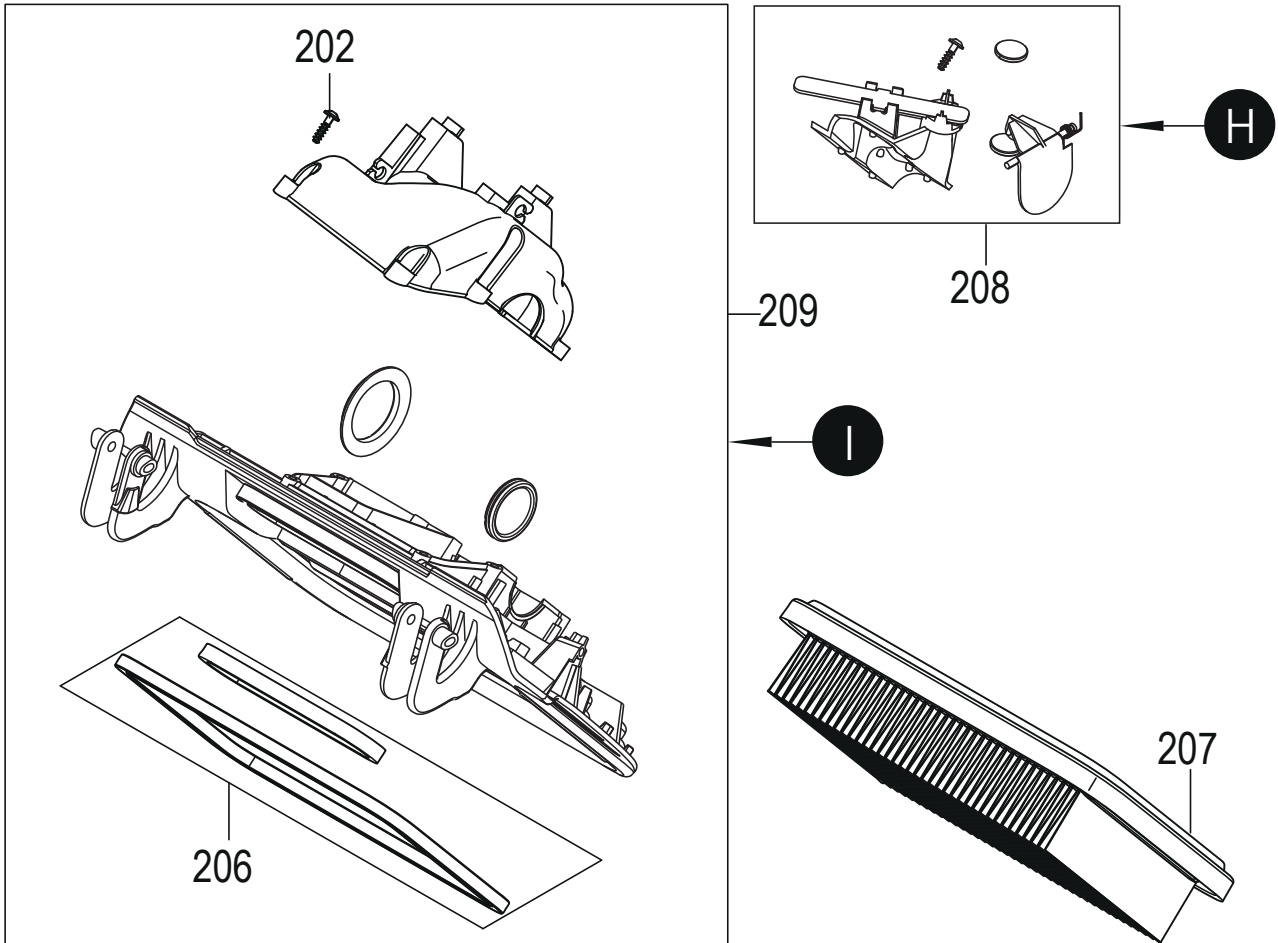
Mirka code	Item	Description	Kit	Qty
<b>8999603611</b>		<b>Rotary knob kit</b>	A	
	101	Rotary knob		1
	102	O-ring 10 x 2,5 mm		1
	103	Screw 2,9 x 19 mm		1
<b>8999211311</b>		<b>Handle kit</b>	C	
	113	Handle		1
	114	Screw 5 x 45 mm		3

## Parts list – spare parts

Mirka code	Item	Description	Kit	Qty
	101	Rotary knob	A	1
	102	O-ring 10 x 2,5 mm	A	1
	103	Screw 2,9 x 19 mm	A	1
<b>8999110611</b>	<b>106</b>	<b>Rotary switch 16 A for PC</b>		1
8999210711	107	Potentiometer with wire		2
8999210811	108	Cap for pot-meter		1
<b>8999601911</b>	<b>111</b>	<b>Socket 16 A / 250 V, EU</b>		1
8999711011GB	111	Socket 13 A / 250 V, GB		1
8999601711	111	Socket 15 A / 125 V, US/CSA		1
	113	Handle	C	1
	114	Screw 5 x 45 mm	C	3
<b>8999211511</b>	<b>115</b>	<b>Top cover</b>		1
<b>8999701411</b>	<b>116</b>	<b>Screws 5 x 18 mm</b>		17
8999211811	118	Cord strap		1
<b>8999211911</b>	<b>119</b>	<b>Hatch door clamp</b>		1
8999212011	120	Hatchback lower cover		1
<b>8999212111</b>	<b>121</b>	<b>Hose hook</b>		1
8999112311	123	Control panel L PC		1
8999112411	124	PC button		1
8999112511	125	Spring for button		1
<b>8999112611</b>	<b>126</b>	<b>Hatch door upper cover for PC</b>		1
8999112711	127	Label kit PC control panel & dust class		1

Exploded view of Dust Extractor **1230 L • PC • 230 V & 110 V**

Updated 29.01.2019



**Parts list – kits**

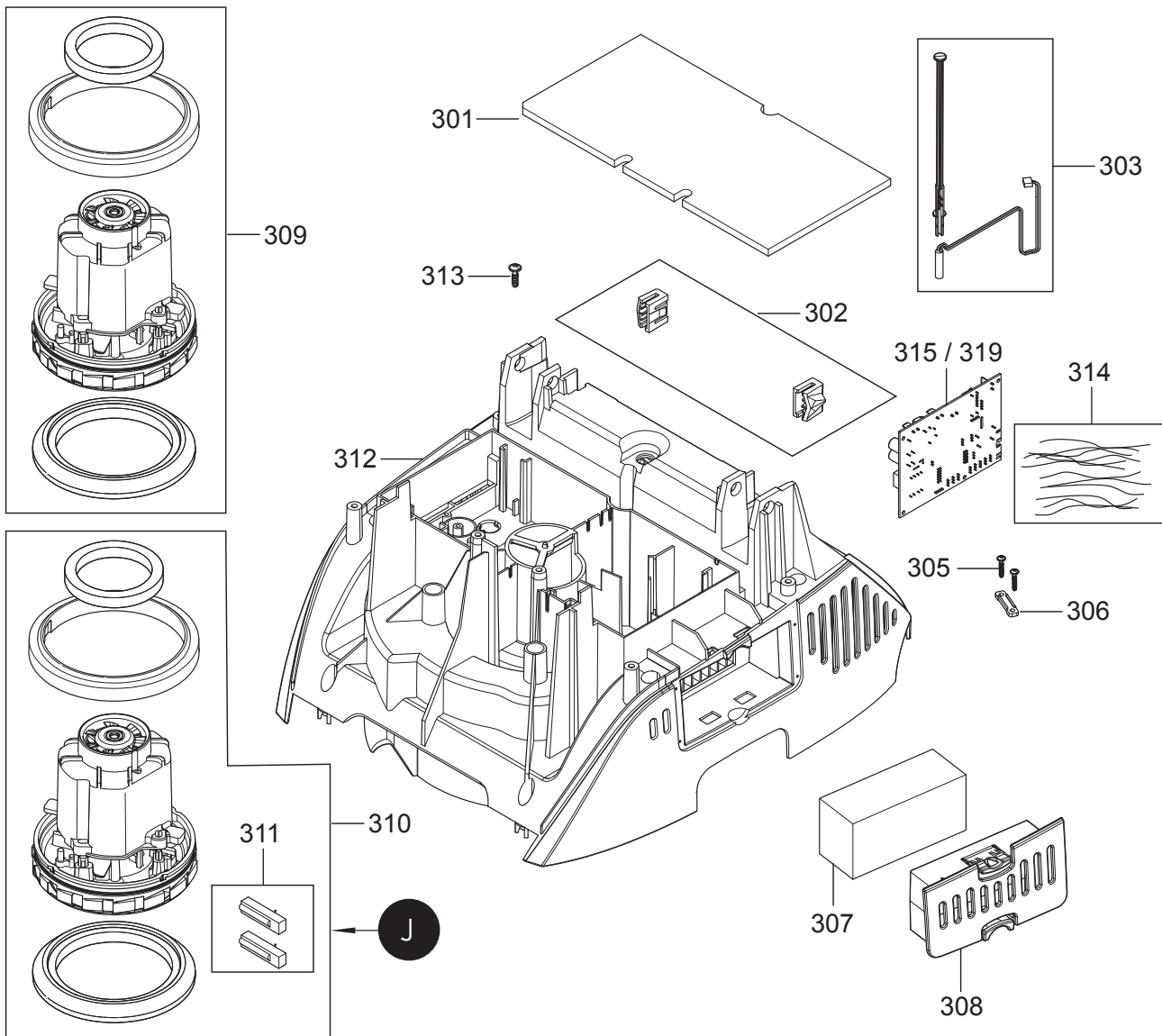
Mirka code	Item	Description	Kit	Qty
8999120811	208	Flap-lever PC	H	1
<b>8999120911</b>		<b>Hatch door frame kit PC</b>	I	
	202	Screws 5 x 18 mm		7
	206	Hatch door filter gasket		1
	209	Hatch door frame PC		1

**Parts list – spare parts**

Mirka code	Item	Description	Kit	Qty
	202	Screws 5 x 18 mm	I	7
	206	Hatch door filter gasket	I	1
<b>8999100411</b>	<b>207</b>	<b>Filter</b>		1
	208	Flap-lever PC	H	1
	209	Hatch door frame for DE PC	I	1

# Exploded view of Dust Extractor 1230 L • PC • 230V & 110V

Updated 04.01.2019



## Parts list – kits

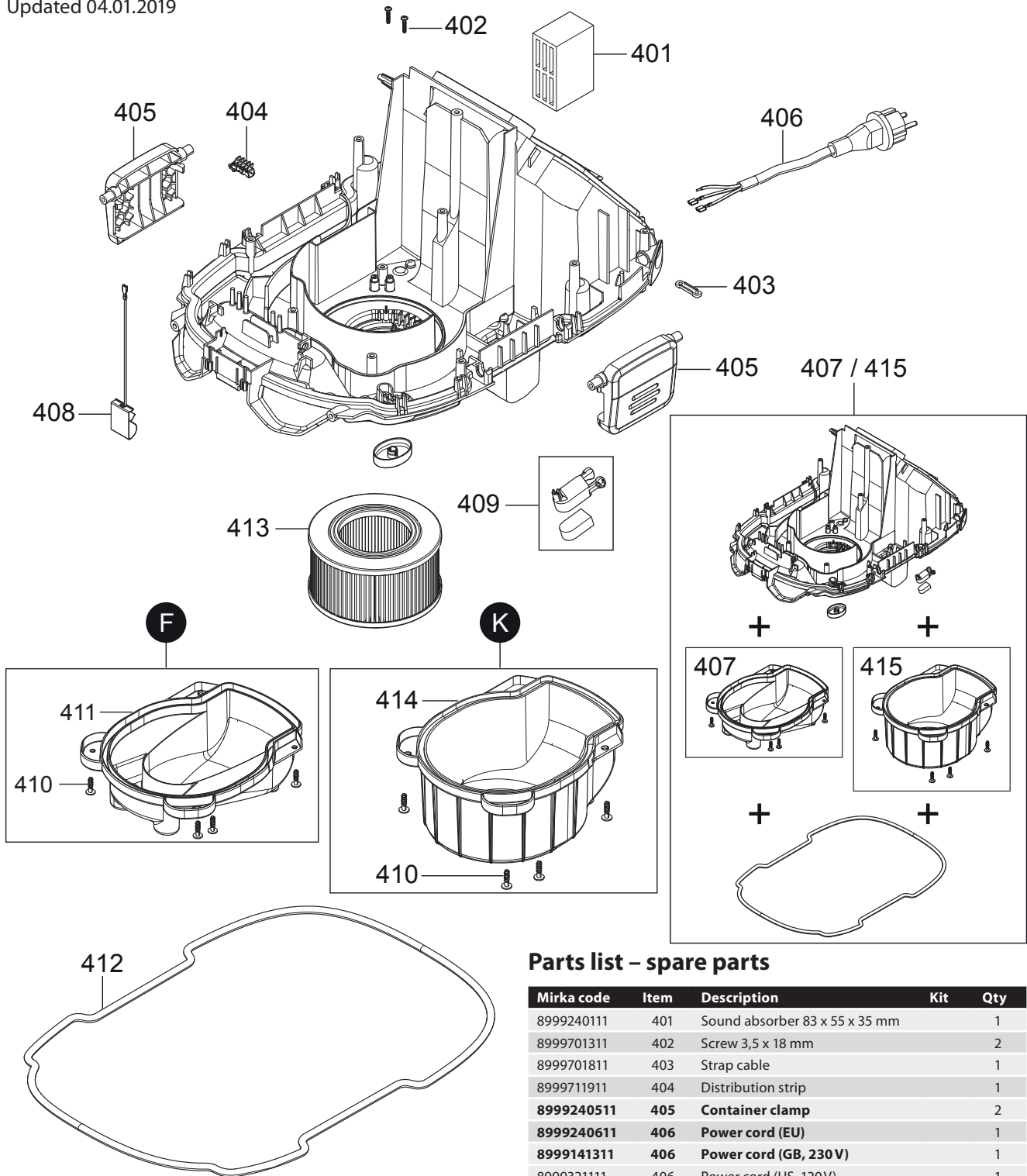
Mirka code	Item	Description	Kit	Qty
<b>8999231011</b>		<b>Motor assembly 110 V</b>	J	
	310	Motor assembly 110 V		1
	311	Carbon brush 110 V		2

## Parts list – spare parts

Mirka code	Item	Description	Kit	Qty
8999230111	301	Foam sealing 298 x 148 mm		1
<b>8999230211</b>	<b>302</b>	<b>Hatch door hinge snap</b>		2
8999230311	303	Reed sensor with applicator		1
8999701311	305	Screw 3,5 x 18 mm		2
8999701811	306	Strap cable		1
<b>8999110111</b>	<b>307</b>	<b>Motor cooling filter</b>		1
<b>8999230811</b>	<b>308</b>	<b>Cover for motor cooling filter</b>		1
<b>8999230911</b>	<b>309</b>	<b>Motor assembly 230 V</b>		1
	310	Motor assembly 110 V	J	1
<b>8999231111</b>	<b>311</b>	<b>Carbon brush 110 V</b>	J	2
8999231211	312	Airguide L		1
8999701411	313	Screw 5 x 18 mm		9
8999231411	314	Wire / Capacitor kit		6
<b>8999131511</b>	<b>315</b>	<b>Electronic board 230–240 V L PC</b>		1
<b>8999131911</b>	<b>319</b>	<b>Electronic board 110–120 V L PC</b>		1

# Exploded view of Dust Extractor 1230 L • PC • 230V & 110V

Updated 04.01.2019



## Parts list – kits

Mirka code	Item	Description	Kit	Qty
<b>8999241111</b>		<b>Air flow cover kit</b>	F	
	410	Screws 5 x 18 mm, stainless steel		4
	411	Air flow cover, black		1
<b>8999100811*</b>		<b>Hepa filter cover kit</b>	K	OPT.
	410	Screws 5 x 18 mm, stainless steel		4
	414	Hepa filter cover		1

\* Standard in North America

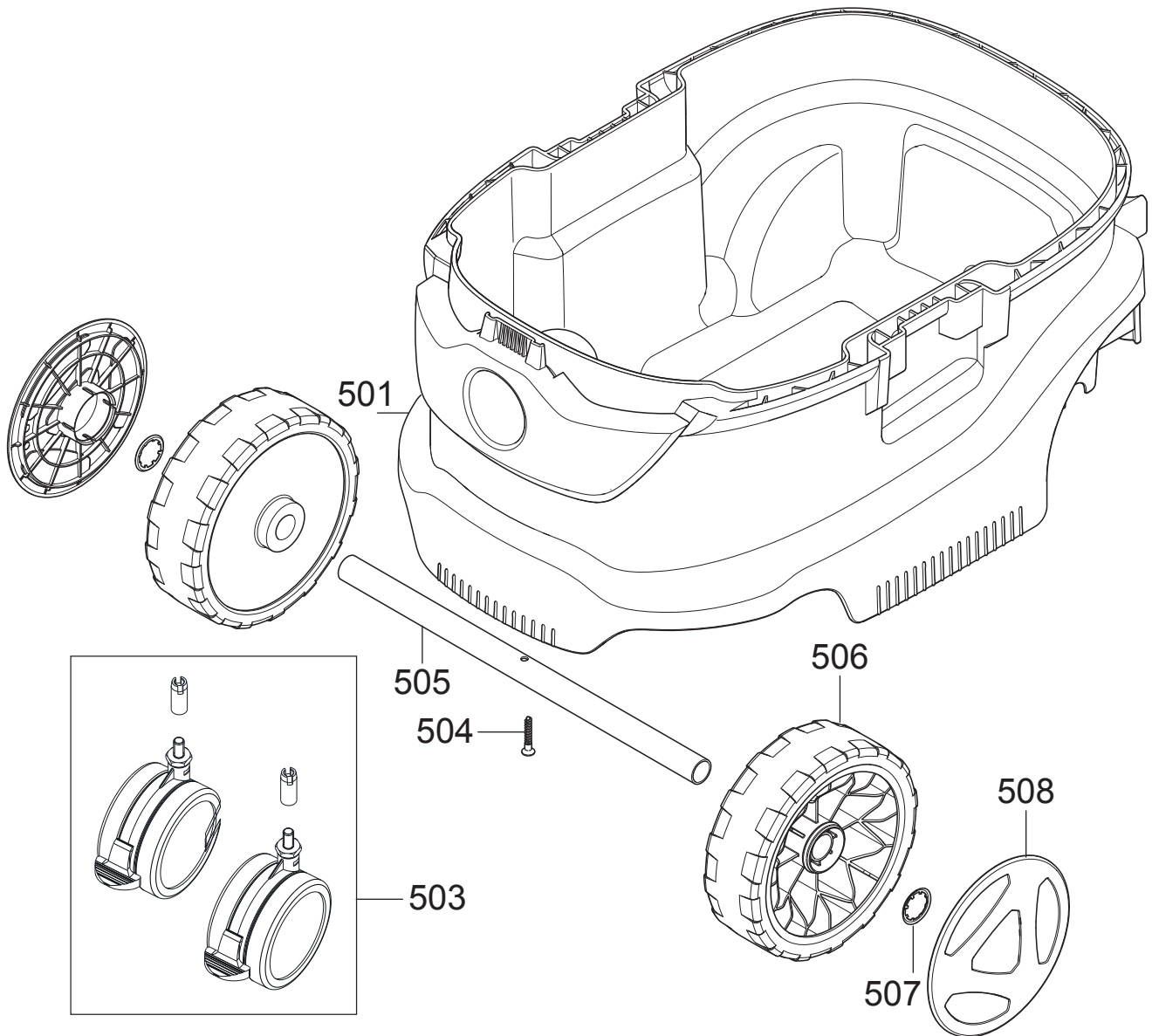
## Parts list – spare parts

Mirka code	Item	Description	Kit	Qty
8999240111	401	Sound absorber 83 x 55 x 35 mm		1
8999701311	402	Screw 3,5 x 18 mm		2
8999701811	403	Strap cable		1
8999711911	404	Distribution strip		1
<b>8999240511</b>	<b>405</b>	<b>Container clamp</b>		2
<b>8999240611</b>	<b>406</b>	<b>Power cord (EU)</b>		1
<b>8999141311</b>	<b>406</b>	<b>Power cord (GB, 230V)</b>		1
8999321111	406	Power cord (US, 120V)		1
8999240711	407	Base plate with air flow cover		1
8999240811	408	Contact spring with wire		1
8999240911	409	Floater with magnet		1
8999241011	410	Screws 5 x 18 mm, stainless steel	F, K	4
8999241211	411	Air flow cover, black	F	1
8999241211	412	Container sealing		1
<b>8999100711*</b>	<b>413</b>	<b>Hepa filter</b>		OPT.
	414	Hepa filter cover	K	OPT.
8999141511	415	Base plate with hepa filter cover		OPT.

\* Standard in North America

**Exploded view of Dust Extractor 1230 L • PC • 230V & 110V**

Updated 30.01.2019



**Parts list – spare parts**

Mirka code	Item	Description	Kit	Qty
8999250111	501	Container 30L		1
<b>8999250311</b>	<b>503</b>	<b>Front wheels D75 mm, 2/pack</b>		<b>2</b>
8999250411	504	Screw 5 x 35 mm		1
8999703611	505	Wheel axle		1
8999150611	506	Rear wheel D175		2
8999703911	507	Clamping ring		2
8999250811	508	Wheel cap		2